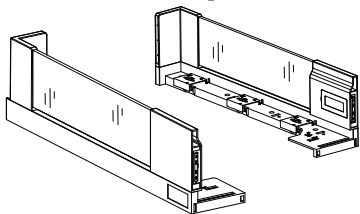
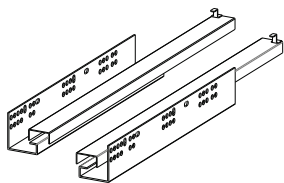


Smartek GLS Front Drawers

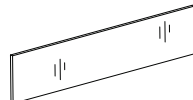
In Side The Box



1set GLS Front Drawer Panels



1set DRSL Channel

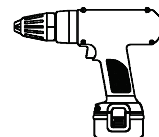


Back Side Glass



For Fitting You Need

Drill Machine



Measure tape



Screws



Screws Driver

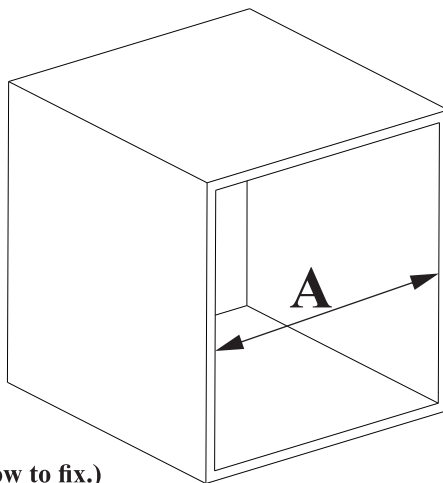


Step : 1 Base Calculation

Size	Depth	Width
18"	435mm	(A-47)
20"	485mm	(A-47)
22"	535mm	(A-47)

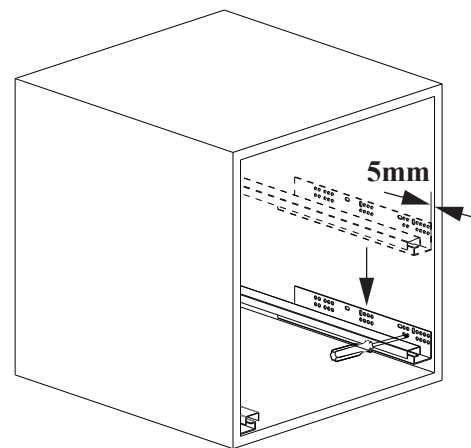
Take Dimension Of Cabinet As Shown And Cut Base According to Chart Given Above.

Note :- You Can Use Base Thickness 12mm, 15mm, 18mm, 19mm. (Check Step 3 For How to fix.)

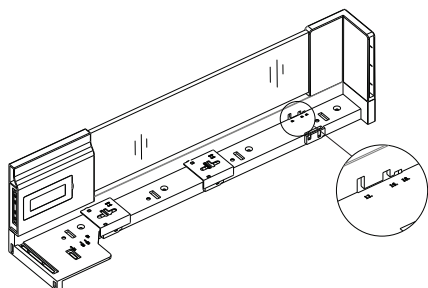


Step : 2

Fix DRSL As Your Requirement

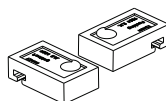
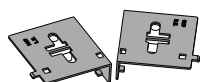


Step : 3:1 Basket Assembly



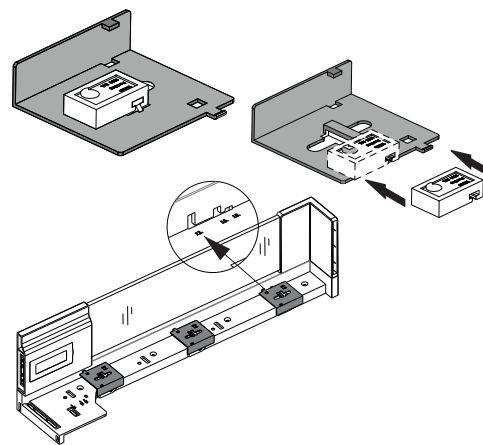
For Base Packing There Is Given 3 Slot 12. 15. 18 As Shown Above. Follow These Steps to Fix 12. 15. 18mm Thickness Of Base.

Use This For 12mm, 15mm, 18mm Base

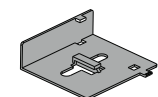
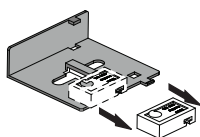


12mm Base Packing

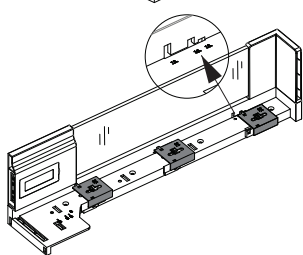
This Assembly Use For 12mm Base.



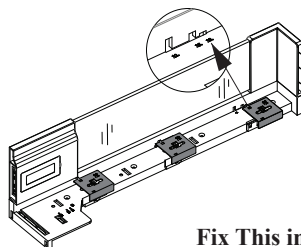
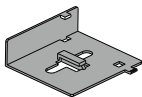
For 15mm Remove This Packing.



Only Use This

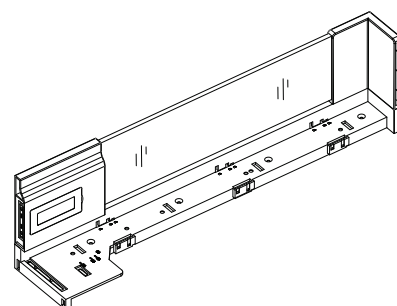


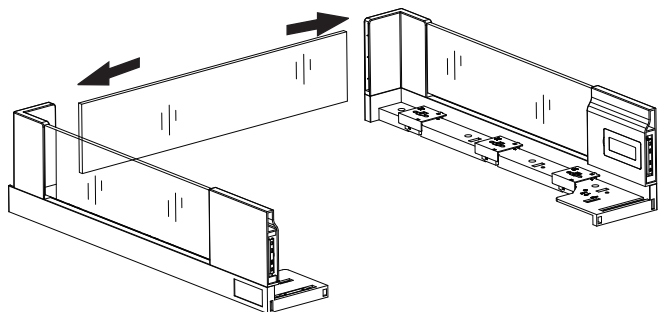
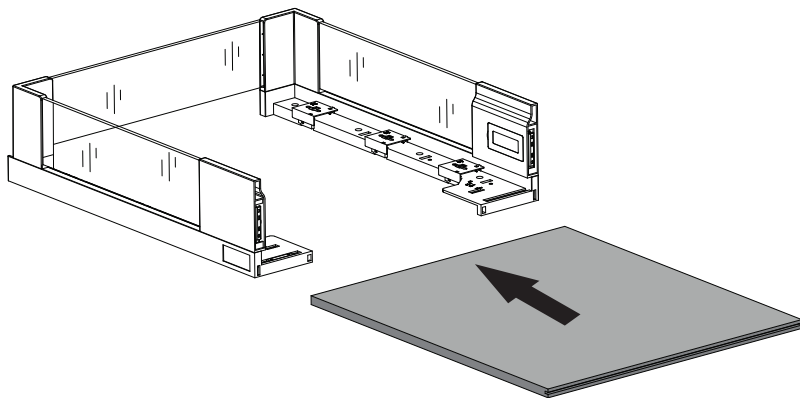
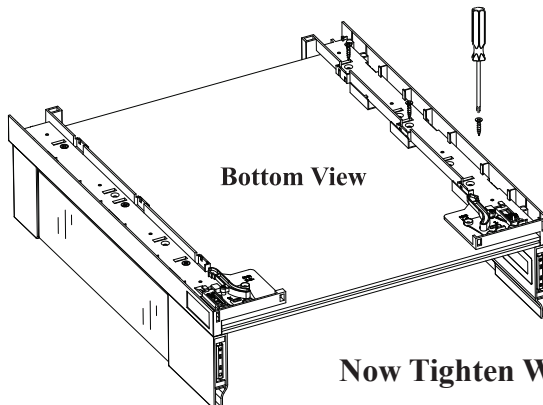
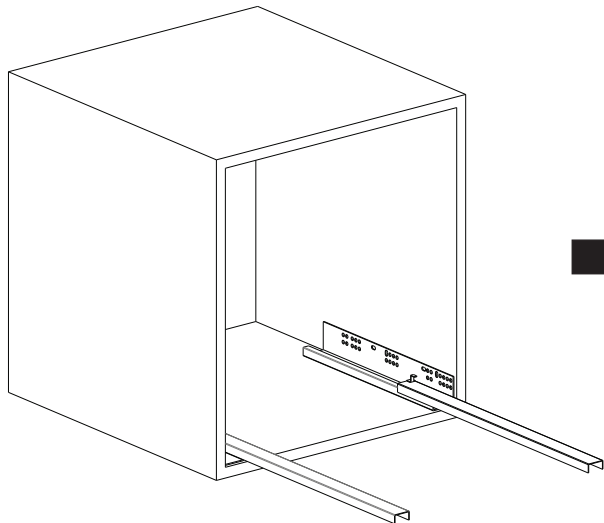
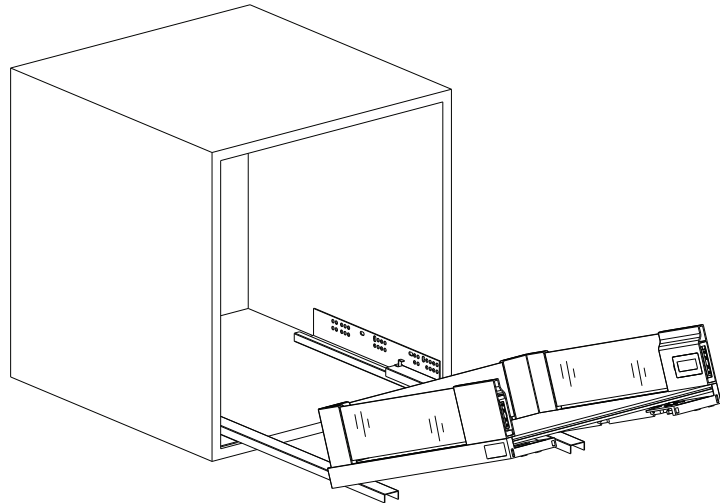
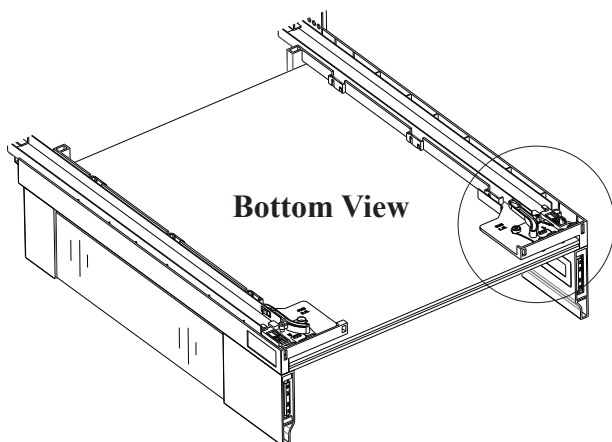
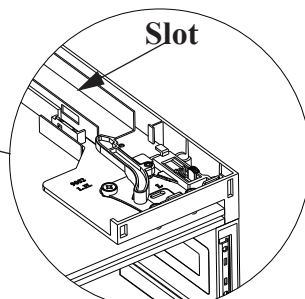
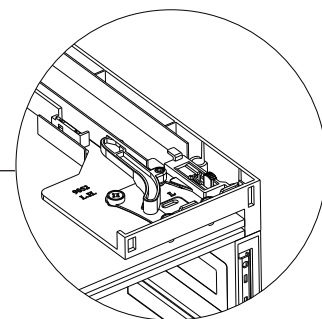
Only Use This For 18mm Base.



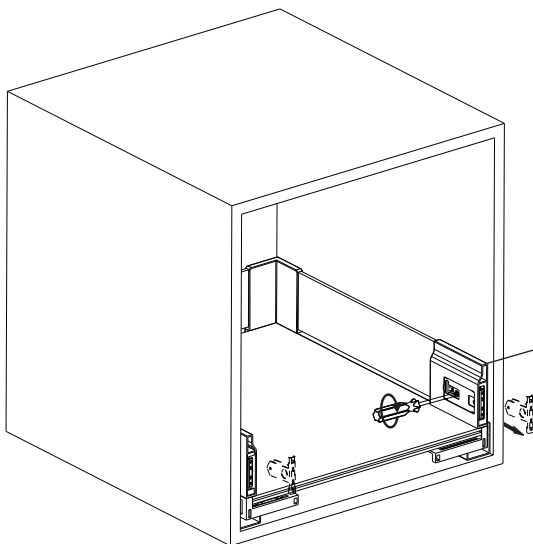
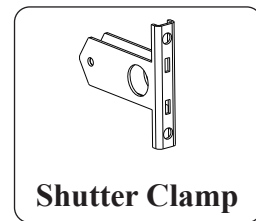
Fix This in 18mm Slot.

For 19mm Base No Packing Need.

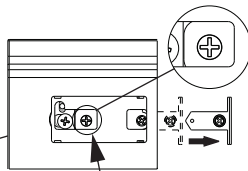


Step : 3:2 Basket Assembly**Insert Glass As Shown.****Insert Base As Shown.****Bottom View****Now Tighten Wooden Screw As Shown.****Step : 4 Install Basket Into The Cabinet.****Move out DSRL Channel As Shown.****Place Basket On Channel As Shown.****Bottom View****Slot****Push Locking Clip And Lock With DSRL Channel Slot**

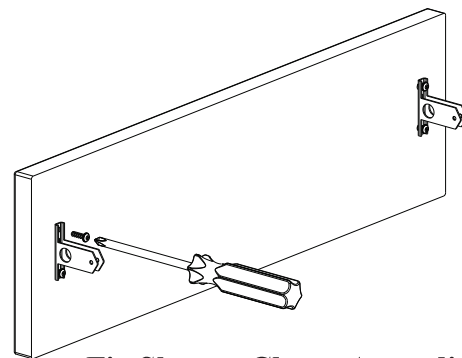
Step : 5 Shutter Fitting



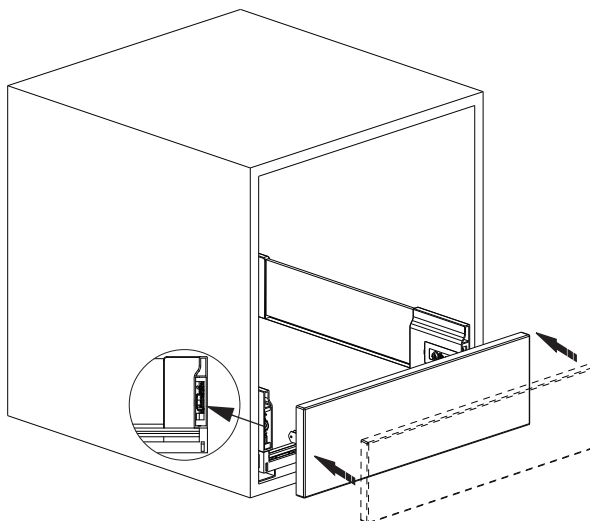
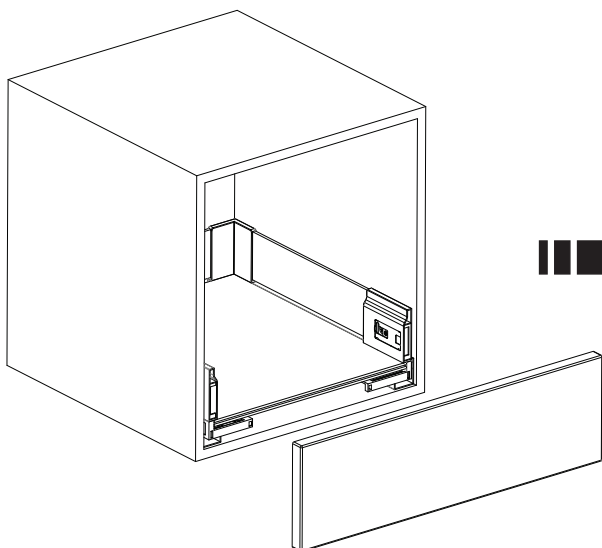
Firstly Detach Shutter Clamp From Basket As Shown.



Rotated This Screw For Detach Shutter Clamp.

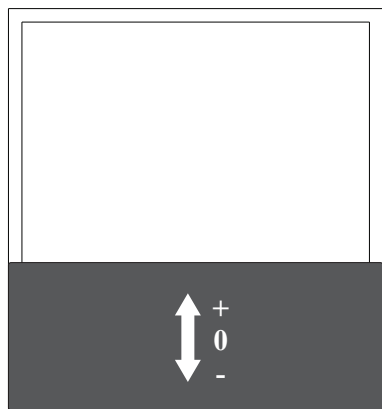


Fix Shutter Clamp According To Cabinet Size.

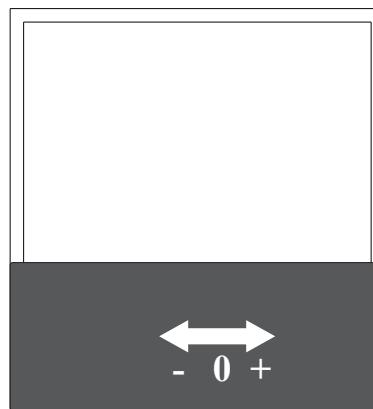
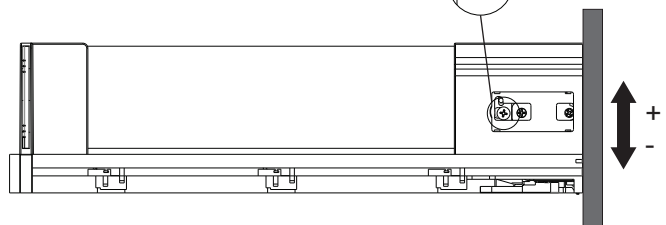


Fix Shutter Into Basket.

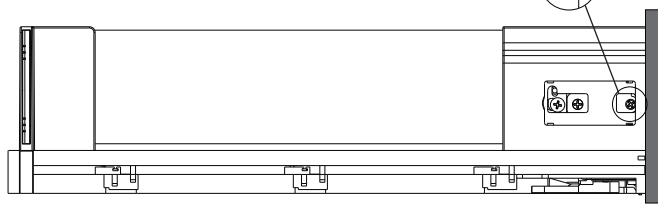
Step : Final Adjustment



Rotated This Screw For Take Up Down Shutter If Need.

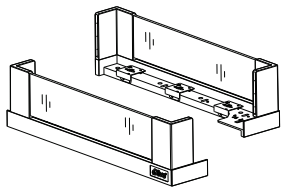


Rotated This Screw For Take Left & Right Shutter If Need.

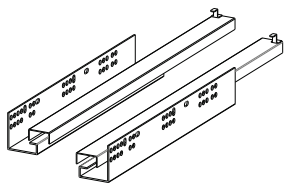


Smartek GLS Inner Drawers

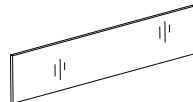
In Side The Box



1 Set GLS Front Drawer Panels



1 set DRSL Channel

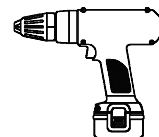


Back Side Glass

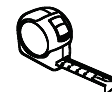


For Fitting You Need

Drill Machine



Measure tape



Screws



Screws Driver

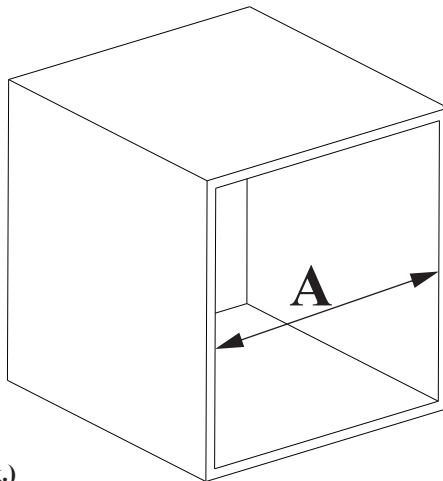


Step : 1 Base Calculation

Size	Depth	Width
18"	435mm	(A-47)
20"	485mm	(A-47)
22"	535mm	(A-47)

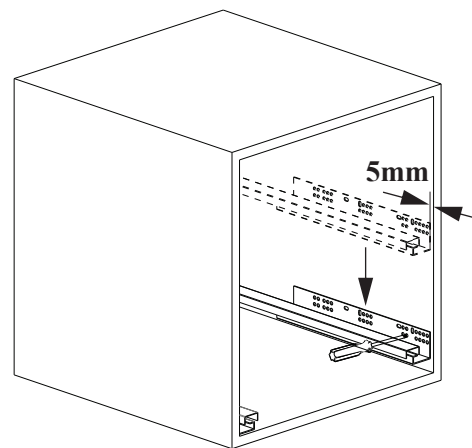
Take Dimension Of Cabinet As Shown And Cut Base According to Chart Given Above.

Note :- You Can Use Base Thickness 12mm, 15mm, 18mm, 19mm. (Check Step 3 For How to fix.)

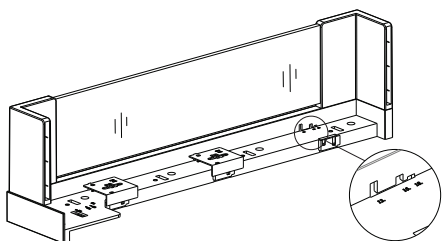


Step : 2

Fix DRSL As Your Requirement

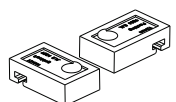
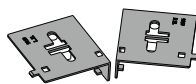


Step : 3:1 Basket Assembly



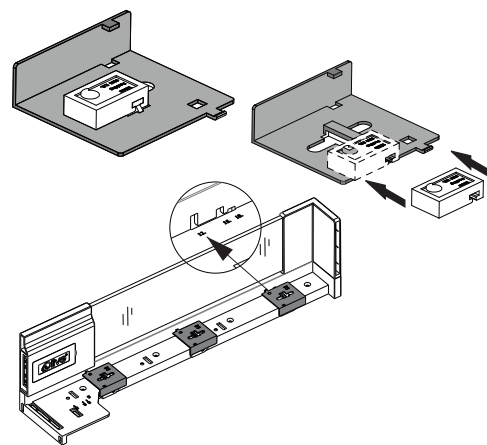
For Base Packing There Is Given 3 Slot 12. 15. 18 As Shown Above. Follow These Steps to Fix 12. 15. 18mm Thickness Of Base.

Use This For 12mm, 15mm, 18mm Base

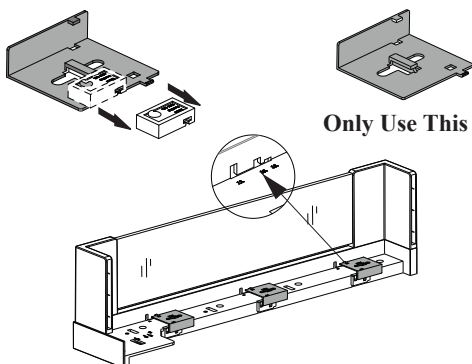


12mm Base Packing

This Assembly Use For 12mm Base.

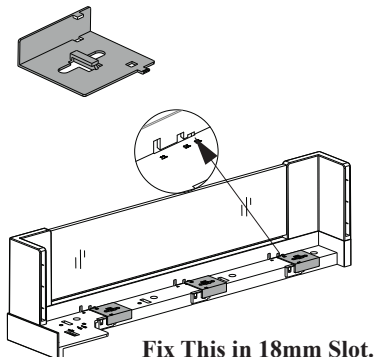


For 15mm Remove This Packing.



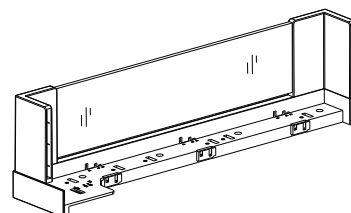
Only Use This

Only Use This For 18mm Base.

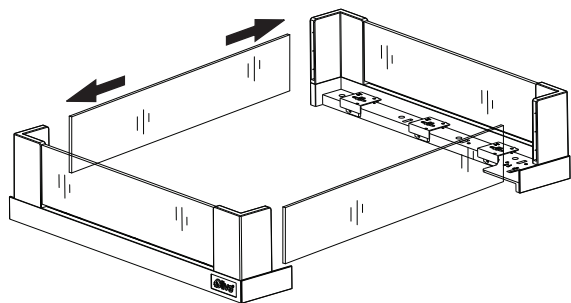


Fix This in 18mm Slot.

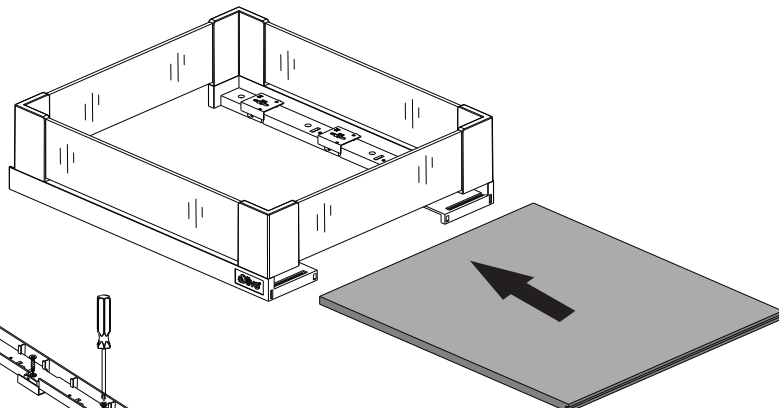
For 19mm Base No Packing Need.



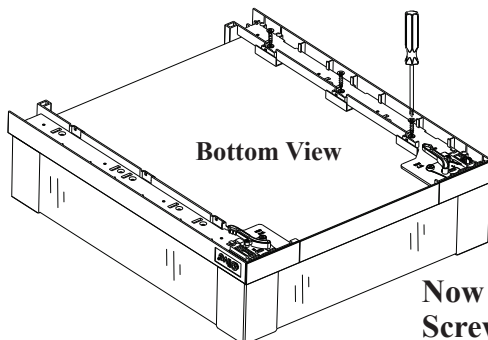
Step : 3:2 Basket Assembly



Insert Glass As Shown.



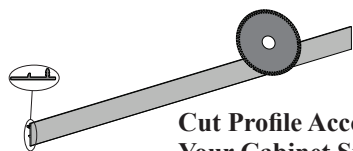
Insert Base As Shown.



Bottom View

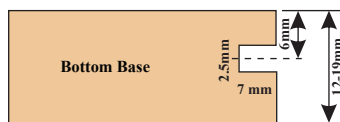
Now Tighten Wooden Screw As Shown.

Step : 4 Fix Front profile

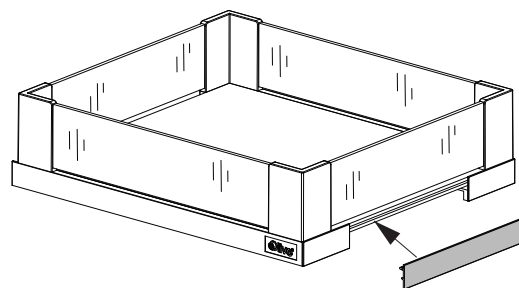


Cut Profile According Your Cabinet Size

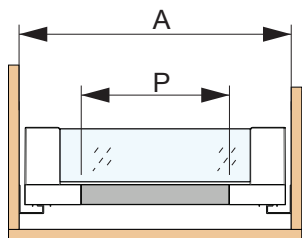
Make Slot In Base As Shown.



Bottom Base

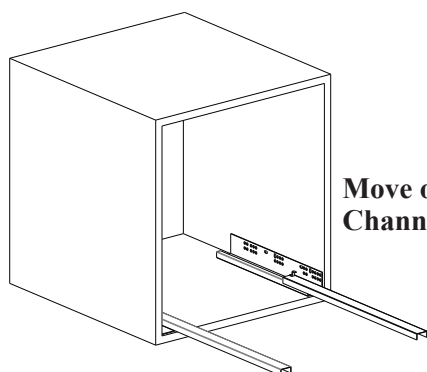


Fix Profile Into The Slot.

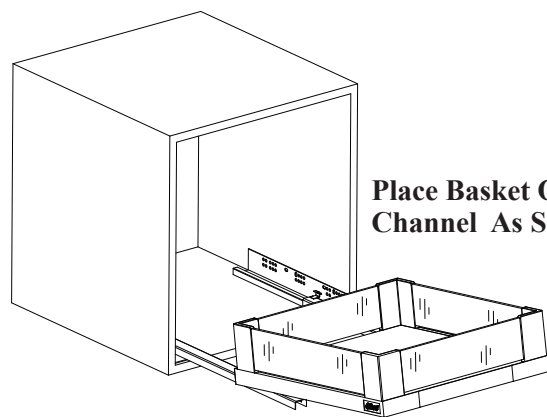


DRSL Channel
W = A - 215mm

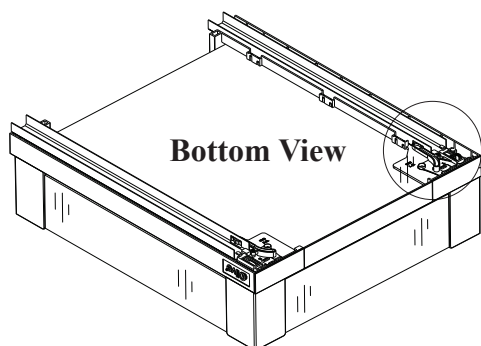
Step : 4 Final Installation



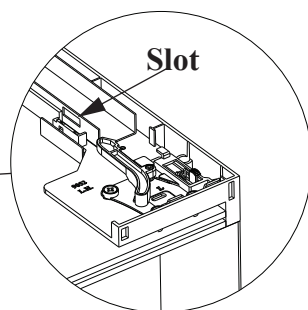
Move out DSRL Channel As Shown.



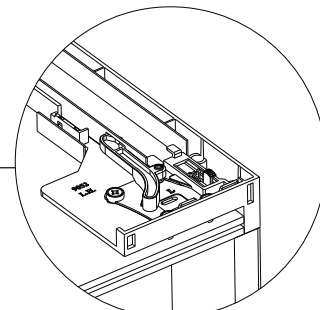
Place Basket On DRSL Channel As Shown.



Bottom View



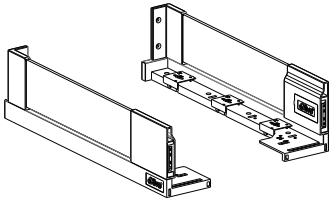
Slot



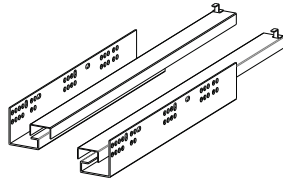
Push Locking Clip And Lock With DRSL Channel Slot

Smartek GLS Wooden Back Drawer

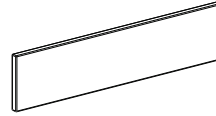
In Side The Box



1Set GLS Wooden Back Drawer Panels



1set DRSL Channel

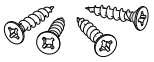


Back Side Wooden

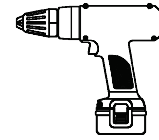


For Fitting You Need

Screws



Drill Machine



Measure
tape



Screws
Driver

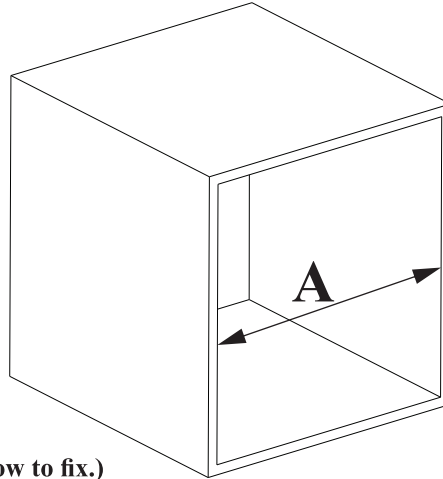


Step : 1 Base Calculation

Size	Depth	Width
18"	435mm	(A-47)
20"	485mm	(A-47)
22"	535mm	(A-47)

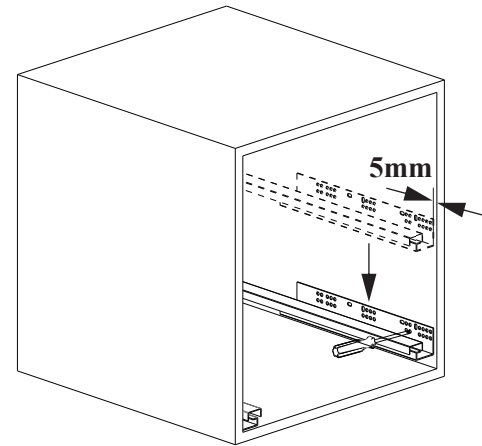
Take Dimension Of Cabinet As Shown And Cut Base According to Chart Given Above.

Note :- You Can Use Base Thickness 12mm, 15mm, 18mm, 19mm. (Check Step 3 For How to fix.)

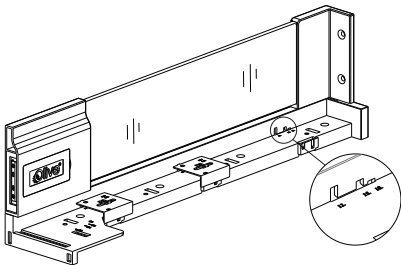


Step : 2

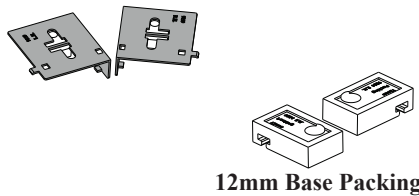
Fix DRSL As Your Requirement



Step : 3:1 Basket Assembly

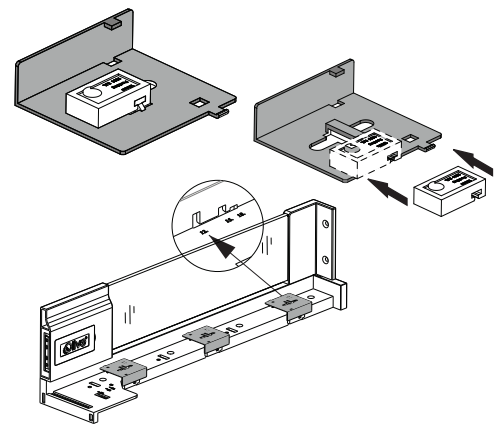


Use This For 12mm, 15mm, 18mm Base



12mm Base Packing

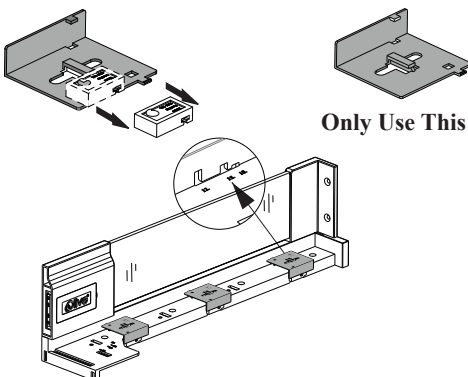
This Assembly Use For 12mm Base.



For Base Packing There Is Given 3 Slot 12. 15. 18 As Shown Above.

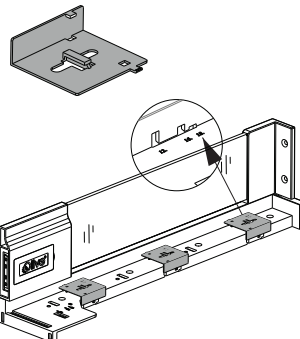
Follow These Steps to Fix 12. 15. 18.mm Thickness Of Base.

For 15mm Remove This Packing.



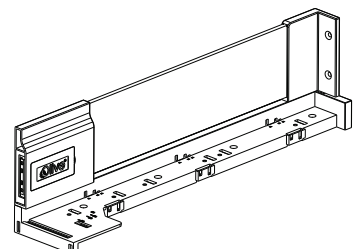
Only Use This

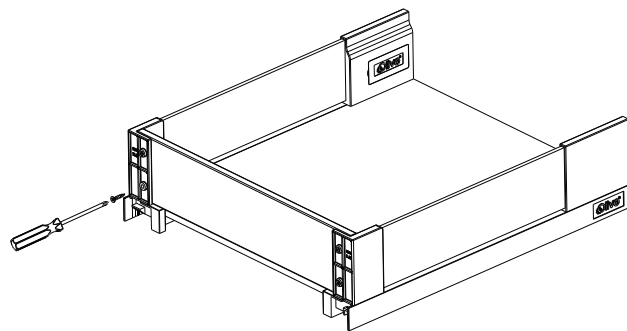
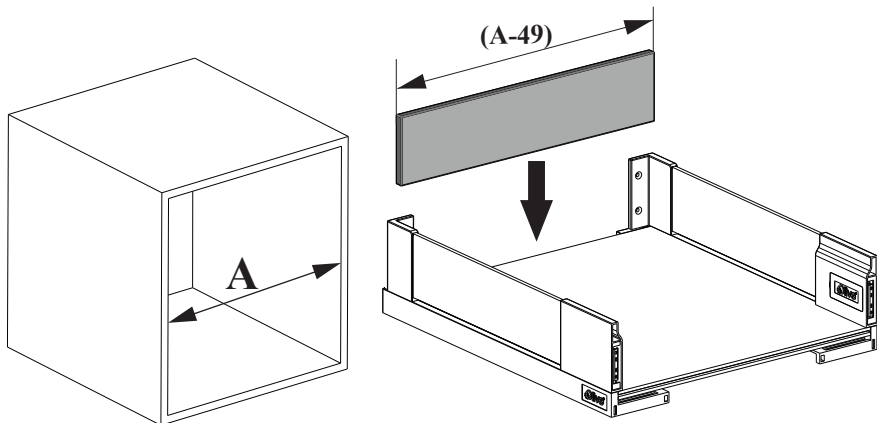
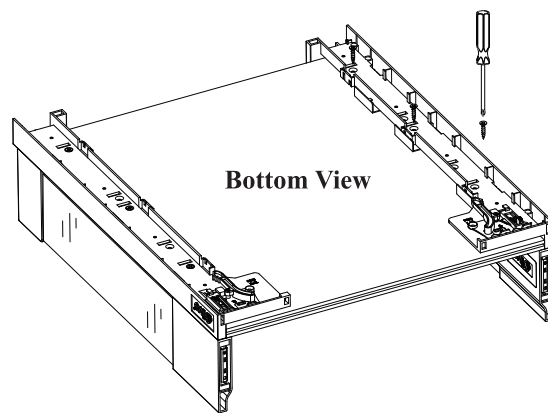
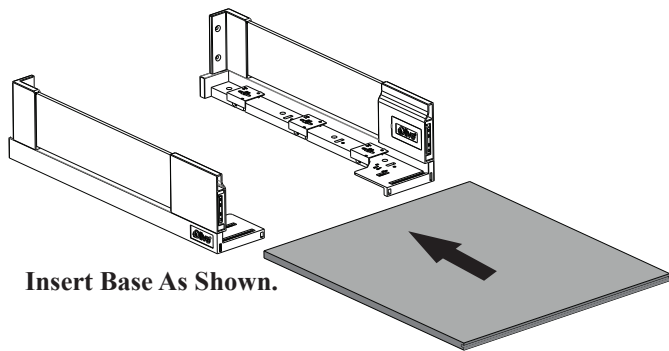
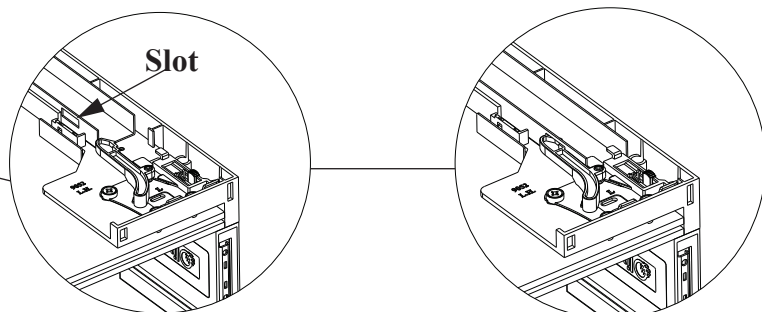
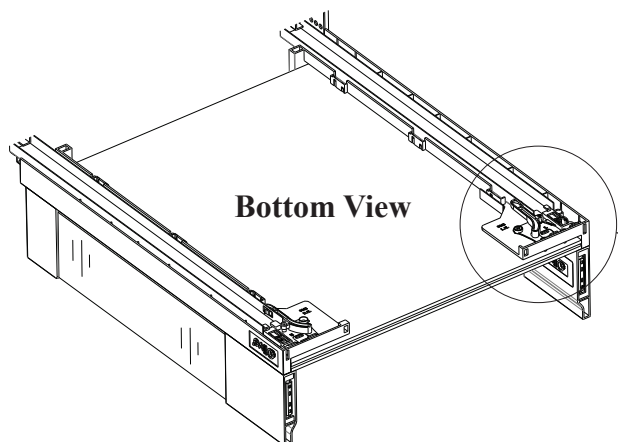
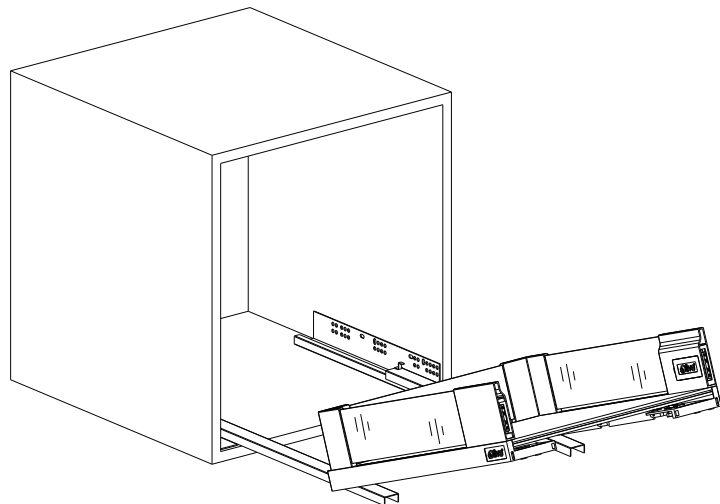
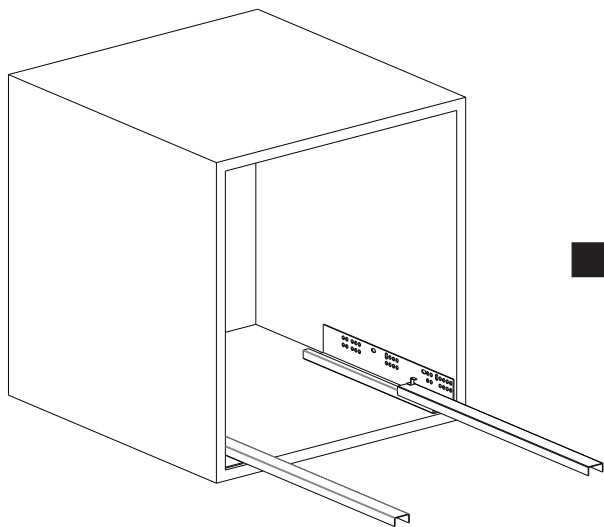
Only Use This For 18mm Base.



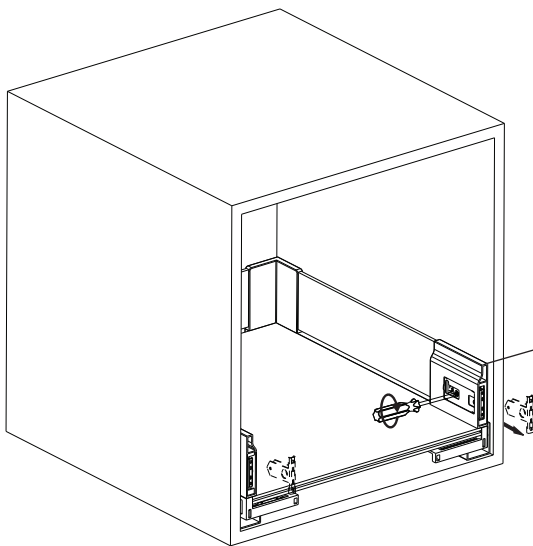
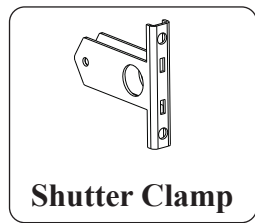
Fix This in 18mm Slot.

For 19mm Base No Packing Need.

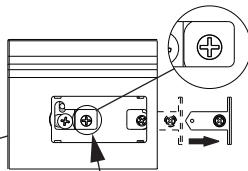


Step : 3:2 Basket Assembly**Step : 4 Install Basket Into The Cabinet.****Push Locking Clip And Lock With DRSL Channel Slot**

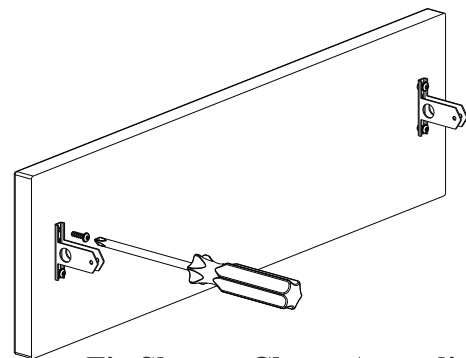
Step : 5 Shutter Fitting



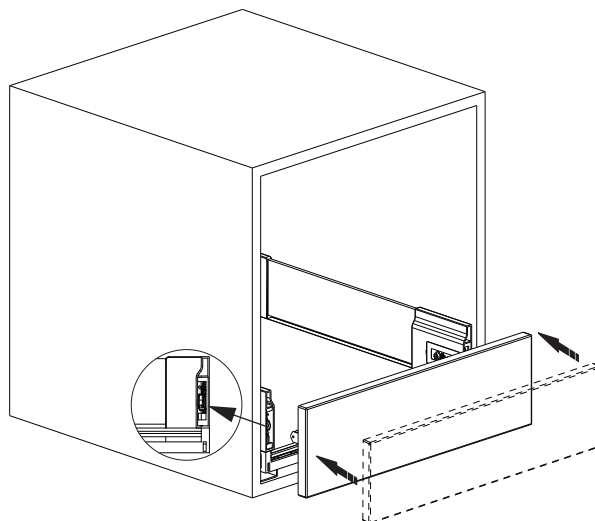
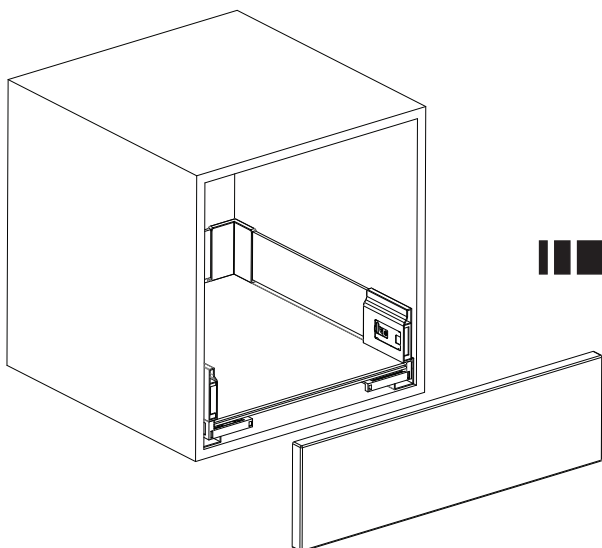
Firstly Detach Shutter Clamp From Basket As Shown.



Rotated This Screw For Detach Shutter Clamp.

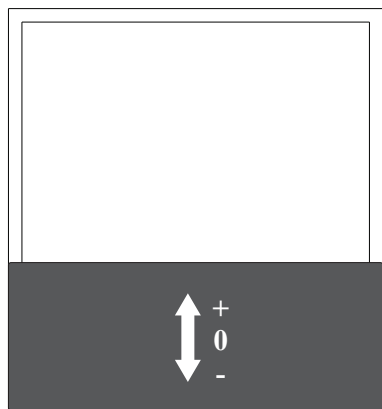


Fix Shutter Clamp According To Cabinet Size.

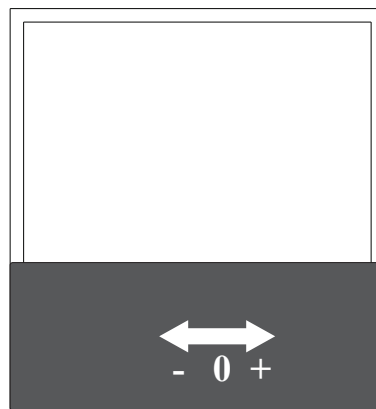
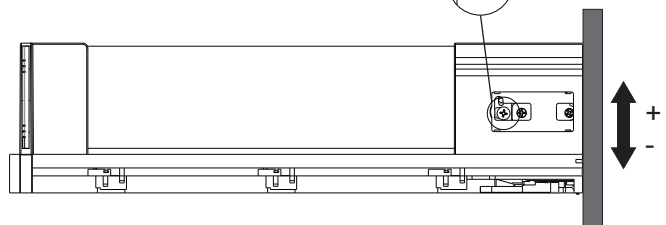


Fix Shutter Into Basket.

Step : Final Adjustment



Rotated This Screw For Take Up Down Shutter If Need.



Rotated This Screw For Take Left & Right Shutter If Need.

