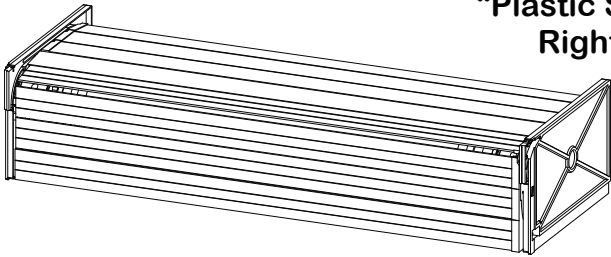


PVC Rolling System Installation

Cabinet Size List				
Size	A	B	C	D
450	414	1400	305	153
600	564	1400	305	153
900	864	1400	305	153

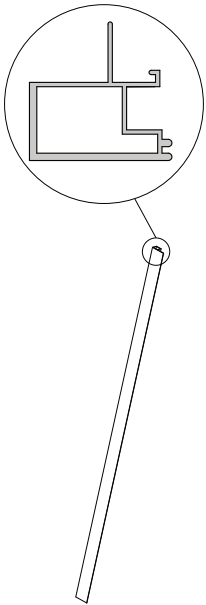
“Rolling System With PVC”

“Plastic Side Cover
Left Side”

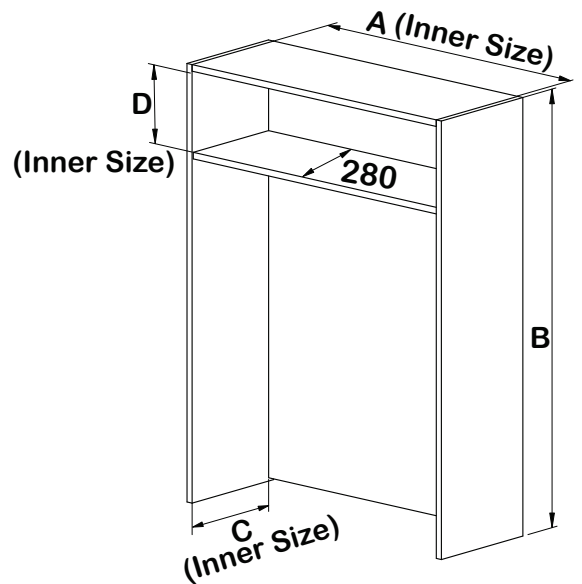
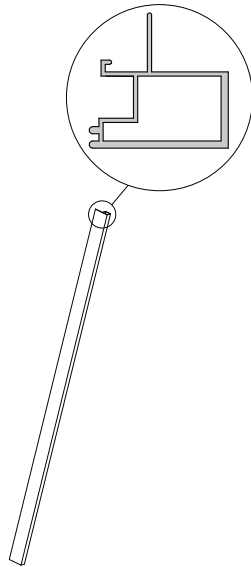


“Plastic Side Cover
Right Side”

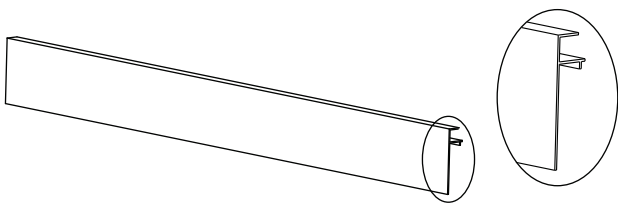
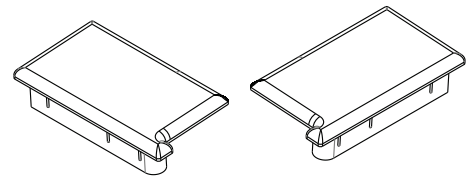
“Left Side
Guide Profile”



“Right Side
Guide Profile”



“Top
Cap Left & Right”



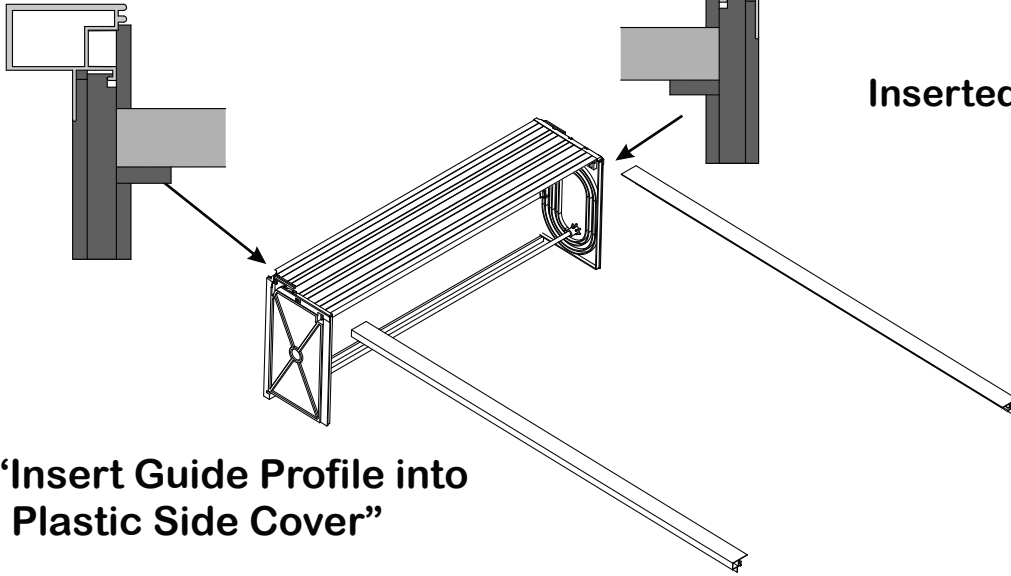
“Front Profile Cover”

Left Side

Right Side

Step :- 1

“Vertical Profile To Be Inserted In The “Right And Left” Side Of Plastic Cover”

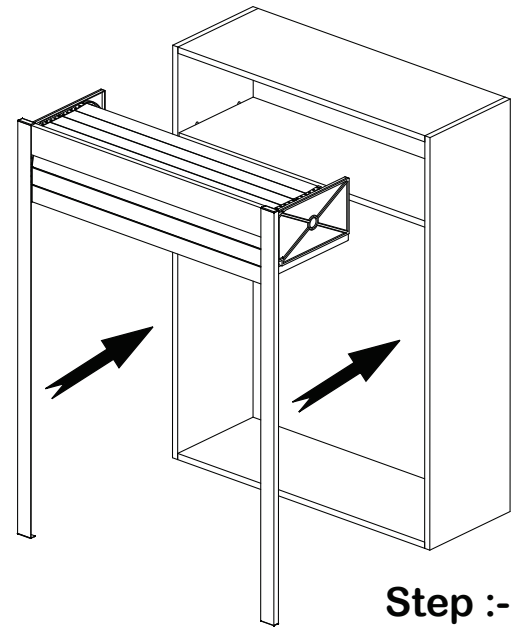
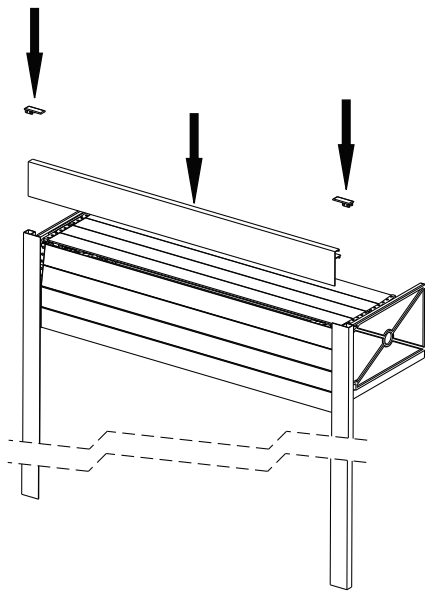


“Insert Guide Profile into Plastic Side Cover”

Step :- 2

Fix Front Profile

Cover And Top Cap As Shown.



Step :- 3

After Installing Left & Right Profile, Insert The Rolling System In Cabinet As Shown In Drawing.

Step :- 4

After Insert Rolling System Into Cabinet, Screw Horizontal Profile With Cabinet.

