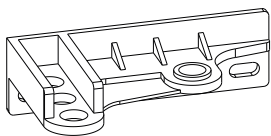
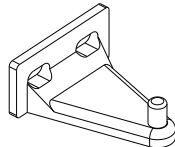
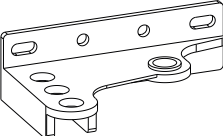
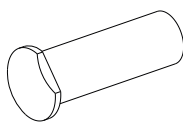
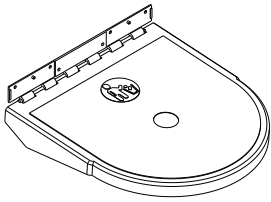
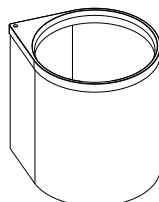
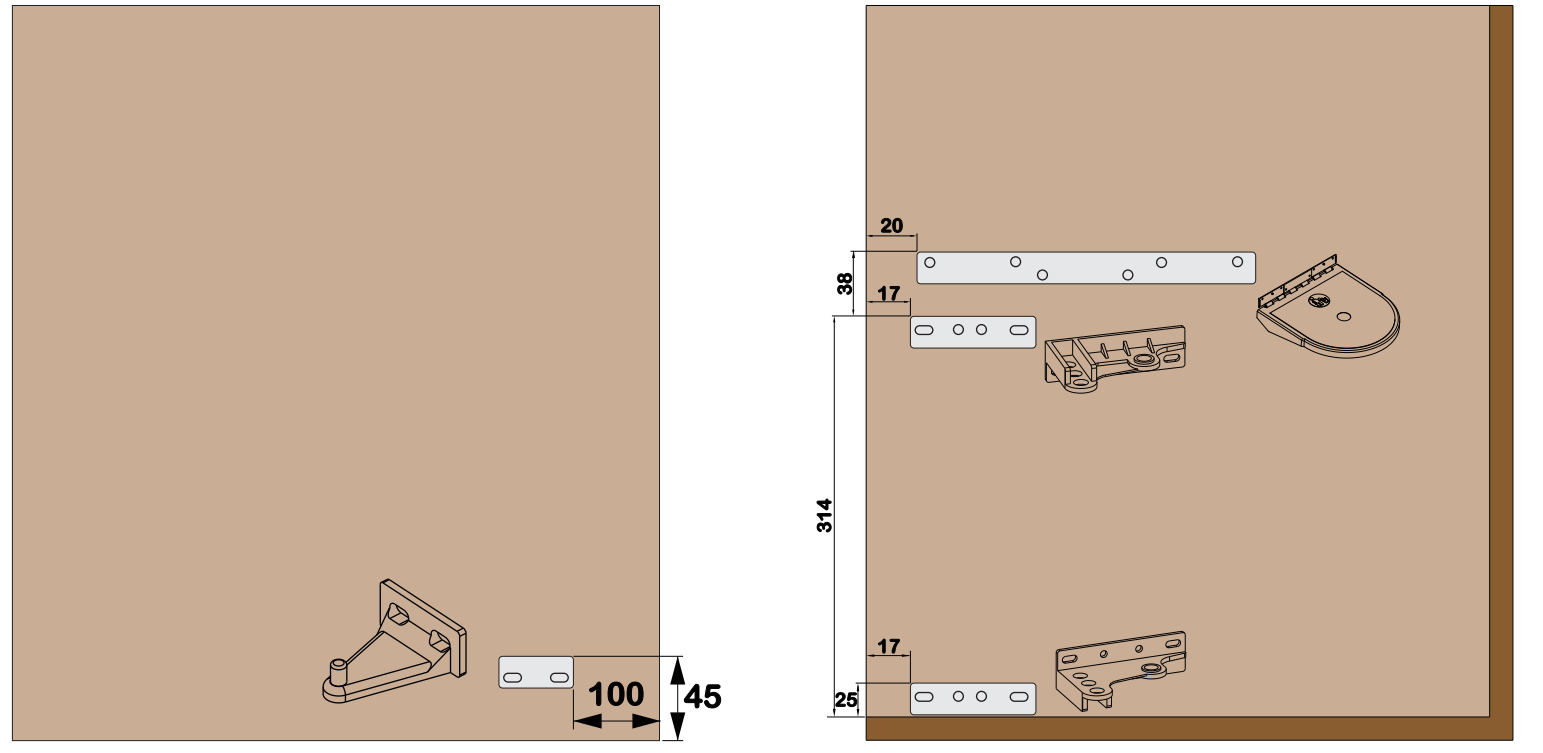
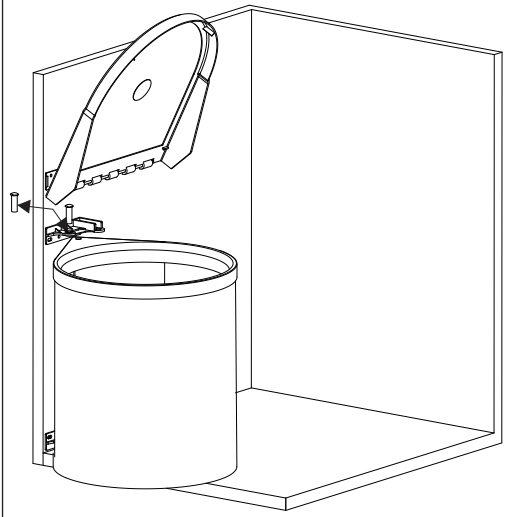
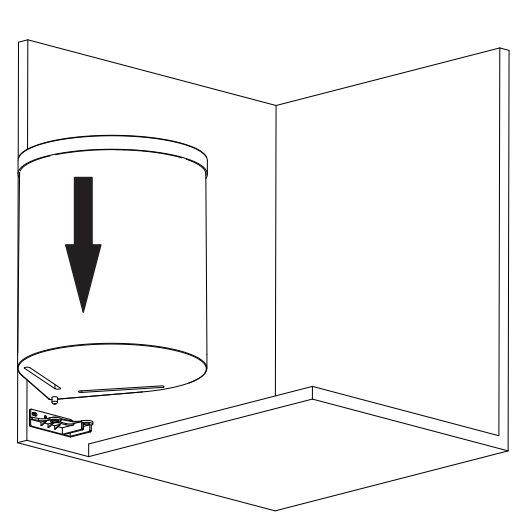


No.	Image	Name	Qty.	No.	Image	Name	Qty.
1		Top Fitting	1 pc	4		Shutter Clamp	1 pc
2		Bottom Fitting	1 pc	5		Pin	1 pc
3		Cover	1 pc	6		Dust Bin	1 pc

Fix All Fitting As Given Dimensions



Follow This Steps



Check Final Assembly And Insert Bin.

