
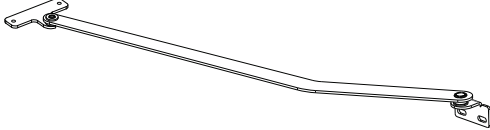
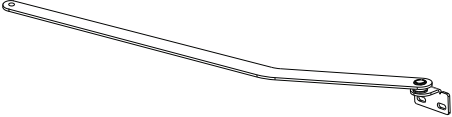
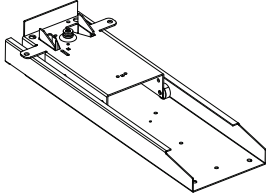
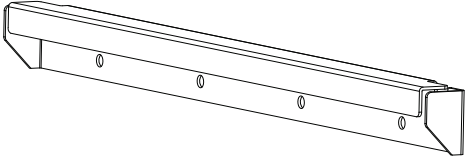
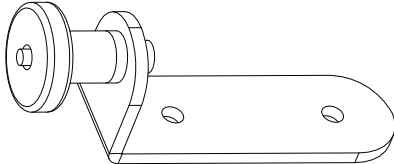
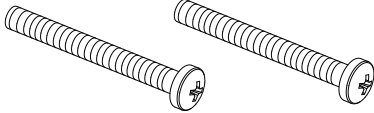
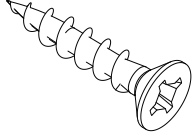
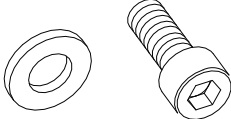
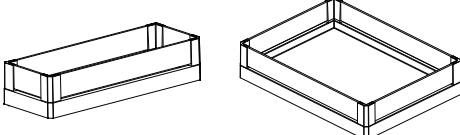

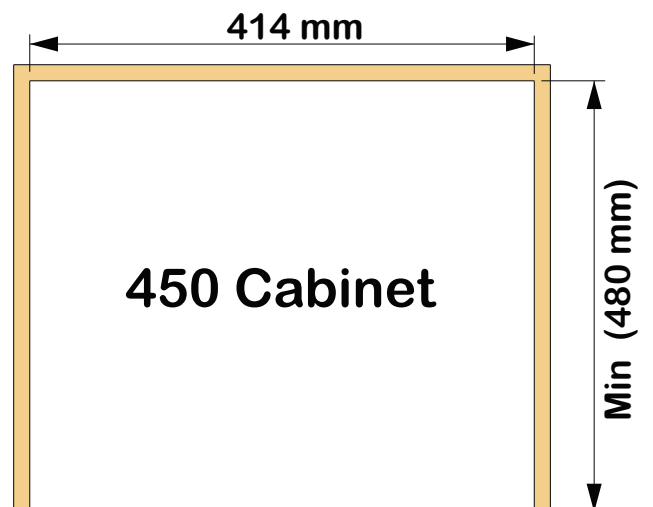


Tandem Pantry Installation 450

1

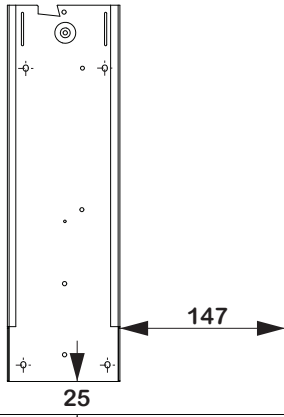
| No. | Image | Qty. | No. | Image | Qty. |
|-----|---|-------|-----|---|-----------|
| 1 |  | 1 Pc. | 2 |  | 1 Pc. |
| 3 |  | 1 Pc. | 4 |  | 1 Set. |
| 5 |  | 1Pc. | 6 |  | 1 Pc. |
| 7 |  | 2 Pc. | 8 |  | 22 Pc. |
| 9 |  | 2 Pc. | 10 |  | Layer x 2 |
| 11 |  | 2 Pc. | 12 | Basket Hook (Optional) | 12 set. |
| 13 | Allen Key | | | | 1 Pc. |

| Cabinet Inner Height | |
|----------------------|---------|
| 6 Layer | 2050 mm |
| 5 Layer | 1600 mm |
| 4 Layer | 1300 mm |

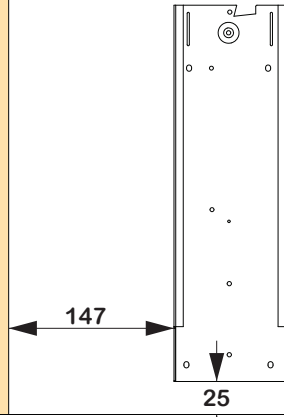


Tandem Pantry Installation 450

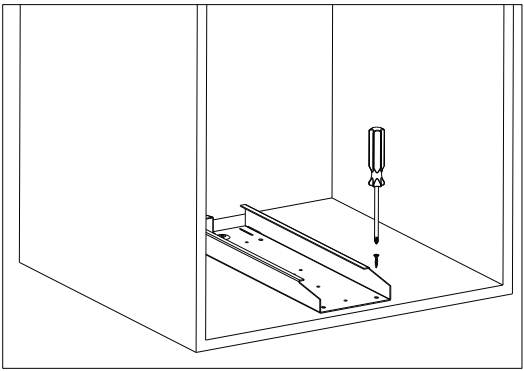
Right Side Door



Left Side Door

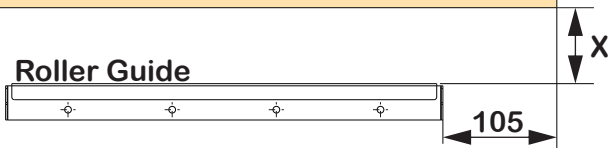


Place Bottom Channel As Given Dimension



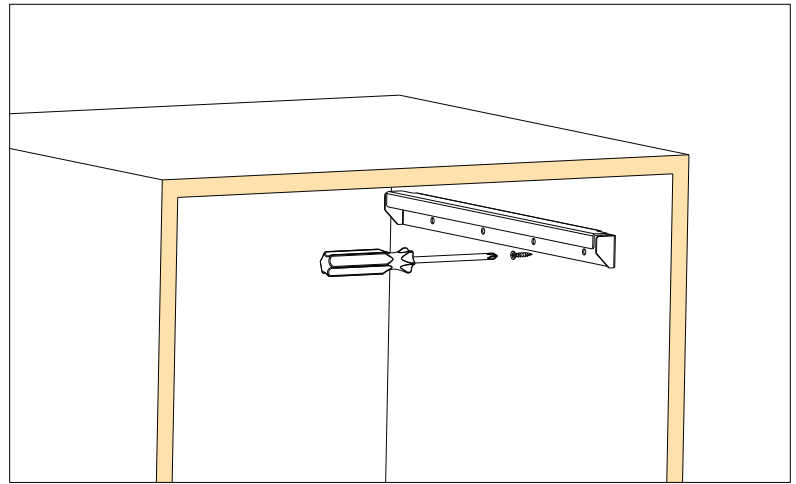
After Placing Channel Fix With Screw.

Roller Guide

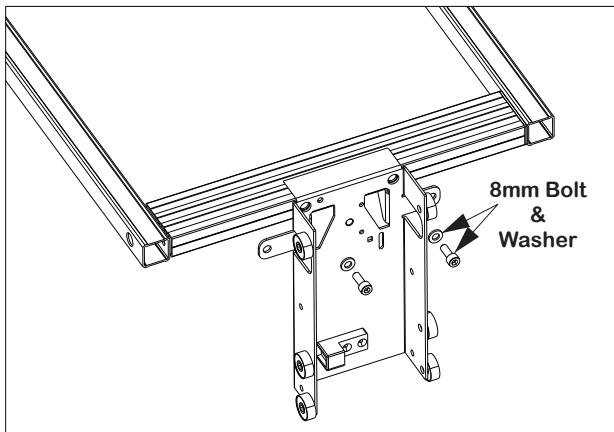


$$X = 1814 - (\text{Cabinet Inner Size})$$

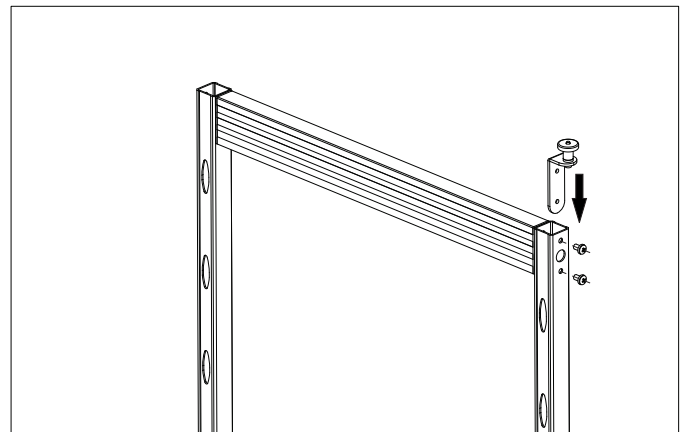
Place Roller Guide As Given Dimension



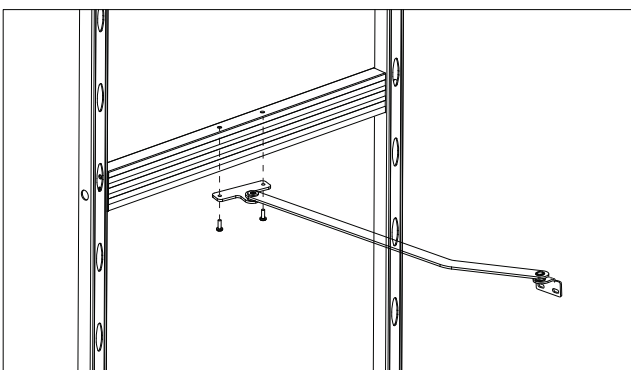
After Placing Guide Fix With Screw.



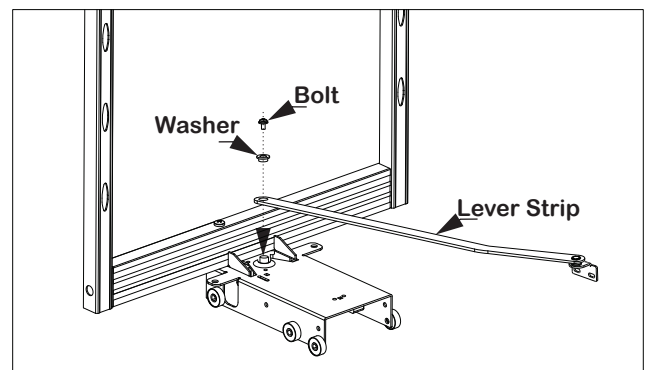
Fix Frame With Roller Channel & Tight With 8mm Bolt



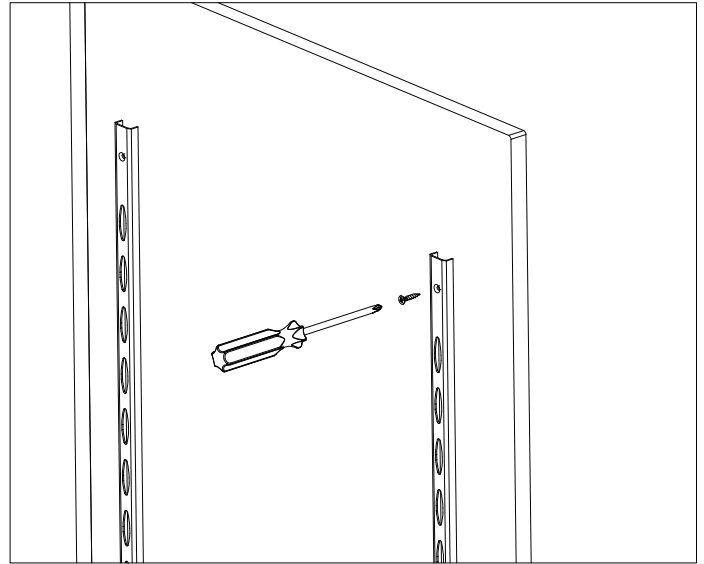
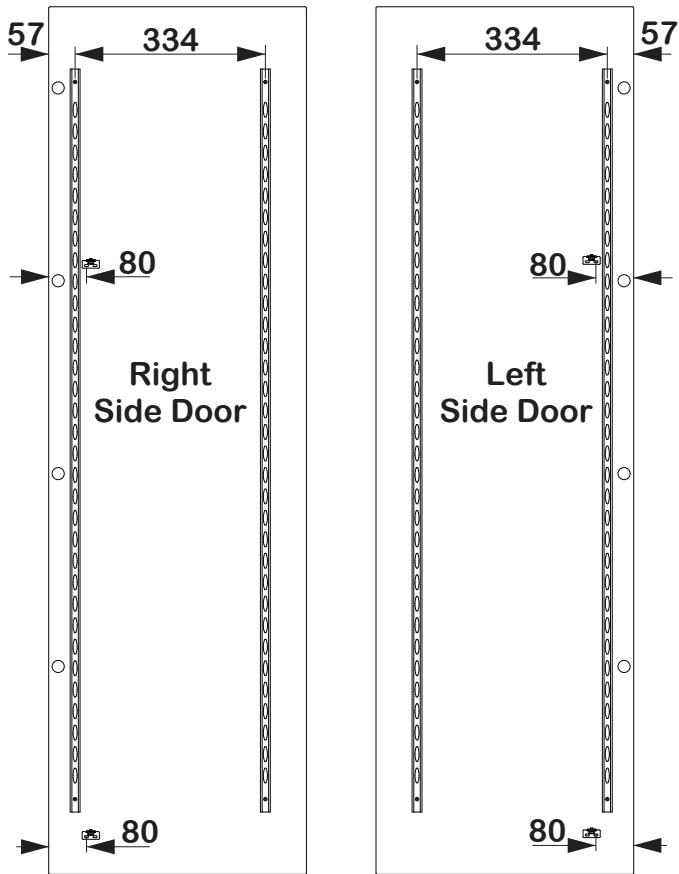
Fix Roller at Frame Top and Tight with Bolt.



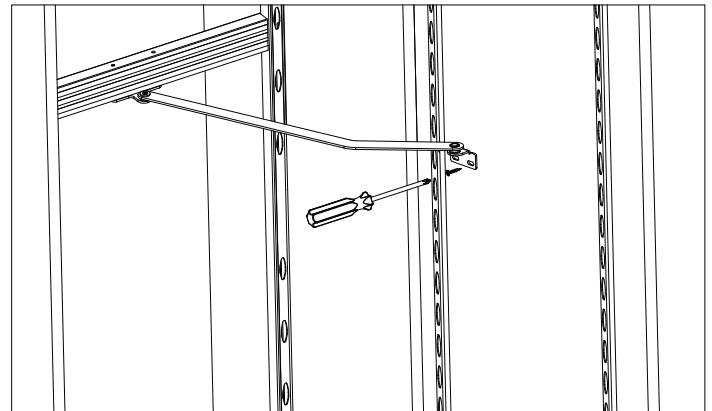
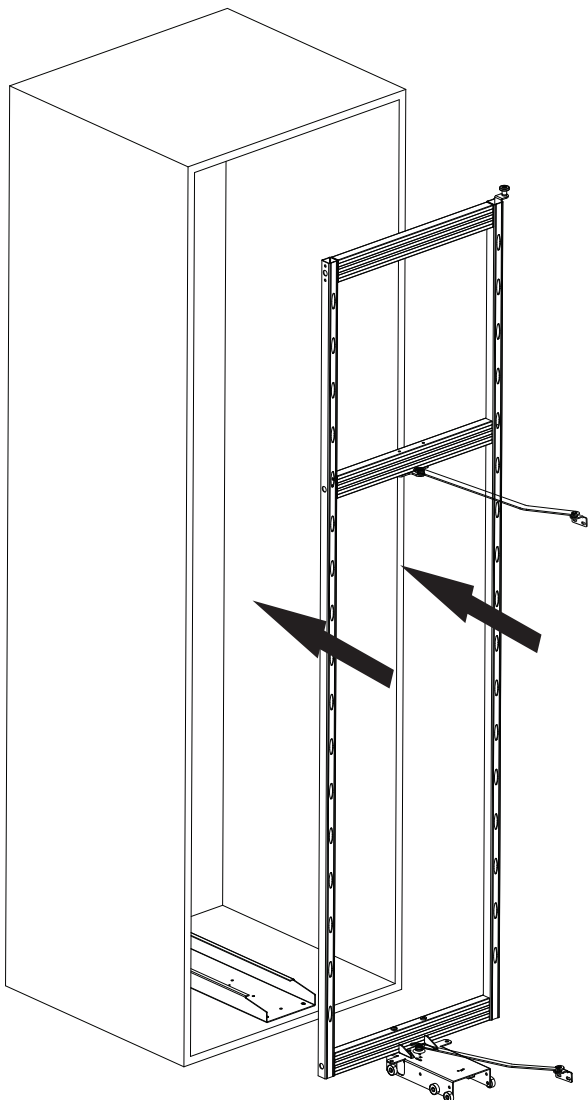
Fix Lever Strip With Frame as Shown.



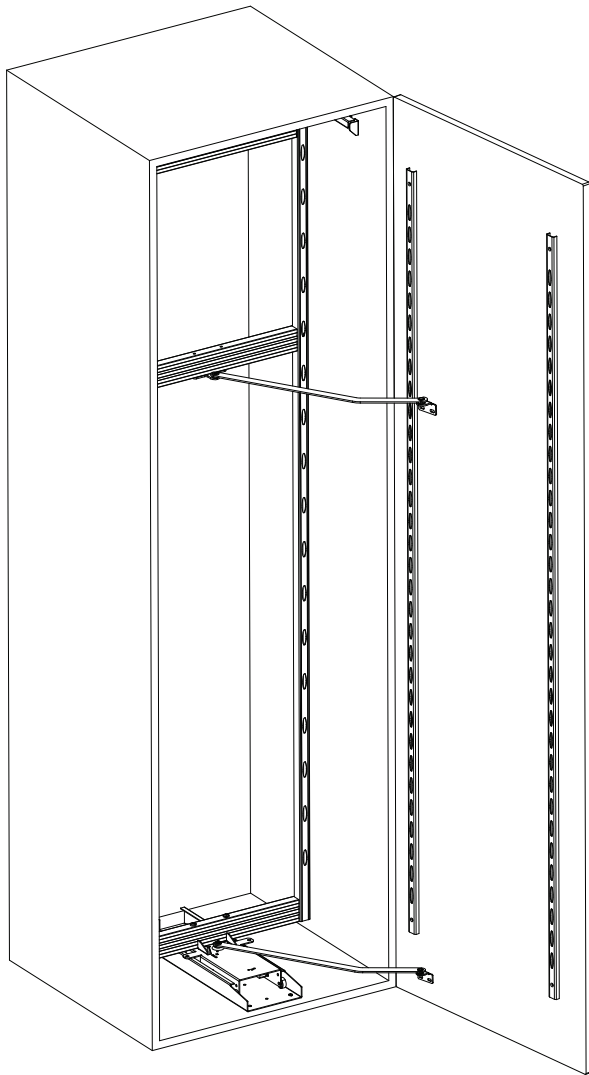
Fix Lever Strip With Roller Channel as Shown



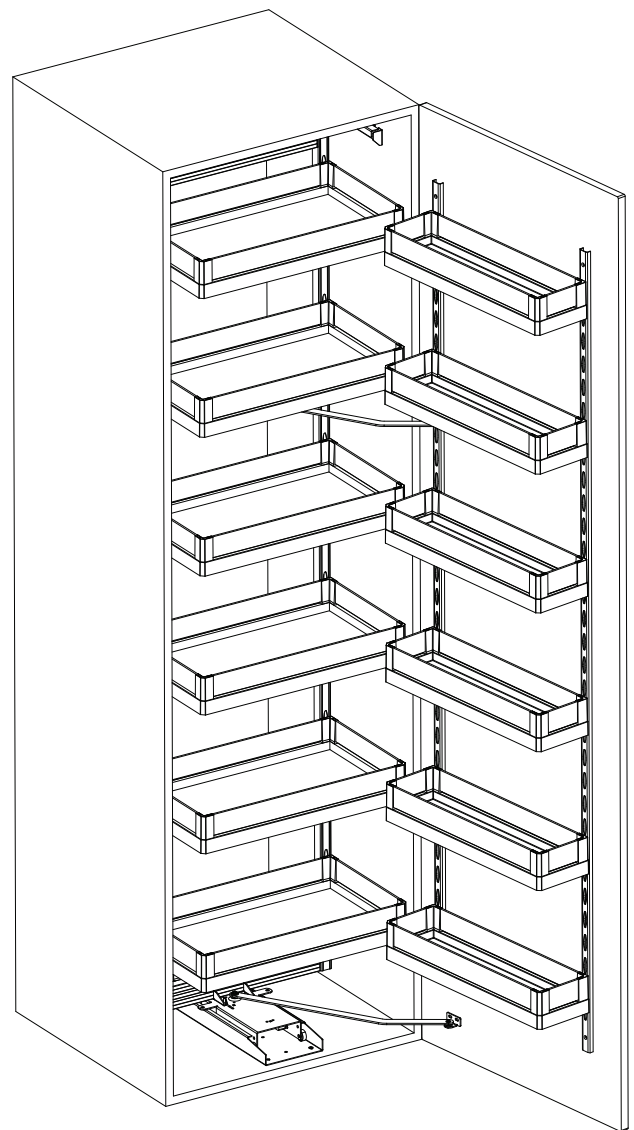
Fix Shutter Strip As Given Dimension & Screw With Shutter



Insert Frame into the Cabinet & Fix Lever Attachment With Shutter As Given Dimension.



After Fitting All Part's Check Working.



Fix Basket According To your Need.



Weight capacity

6 Layer

45 Kg.

5 Layer

35 Kg.

4 Layer


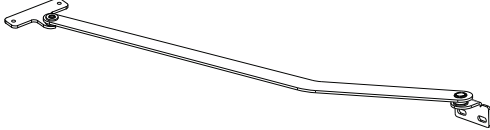
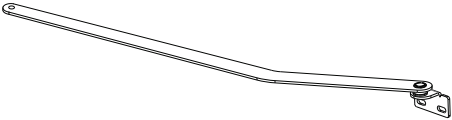
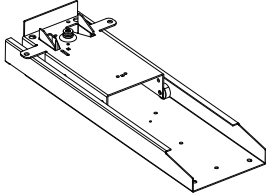
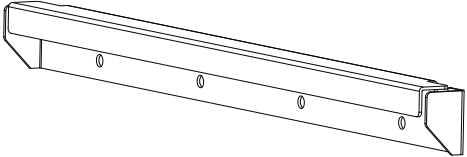
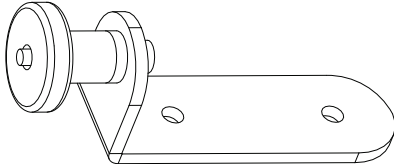
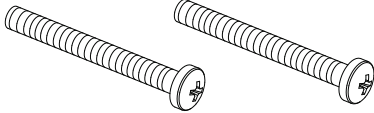
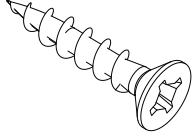
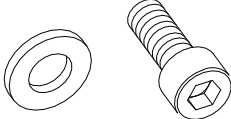
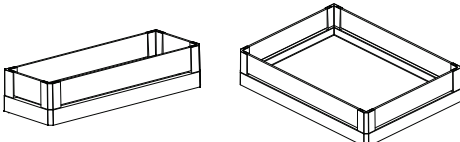

27 Kg.

3 Layer

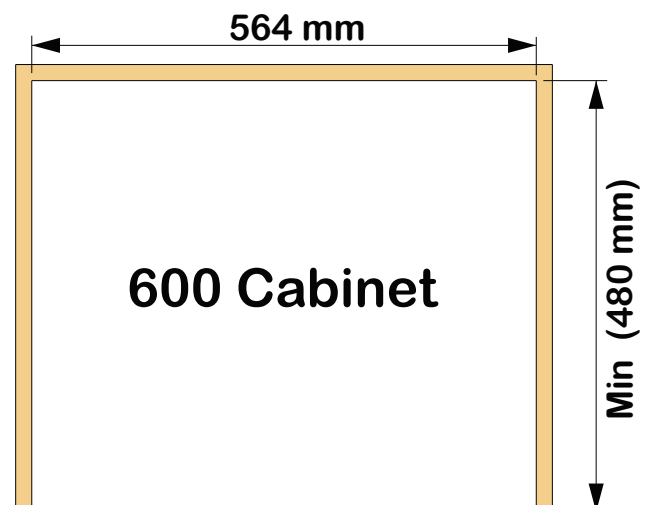
18 Kg.

Tandem Pantry Installation 600

1

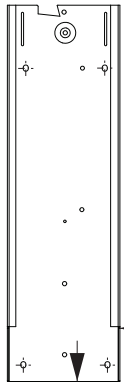
| No. | Image | Qty. | No. | Image | Qty. |
|-----|---|-------|-----|---|-----------|
| 1 |  | 1 Pc. | 2 |  | 1 Pc. |
| 3 |  | 1 Pc. | 4 |  | 1 Set. |
| 5 |  | 1Pc. | 6 |  | 1 Pc. |
| 7 |  | 2 Pc. | 8 |  | 22 Pc. |
| 9 |  | 2 Pc. | 10 |  | Layer x 2 |
| 11 |  | 2 Pc. | 12 | Basket Hook (Optional) | 12 set. |
| 13 | Allen Key | | | | 1 Pc. |

| Cabinet Inner Height | |
|----------------------|---------|
| 6 Layer | 2050 mm |
| 5 Layer | 1600 mm |
| 4 Layer | 1300 mm |

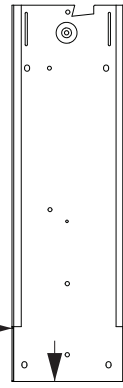


Tandem Pantry Installation 600

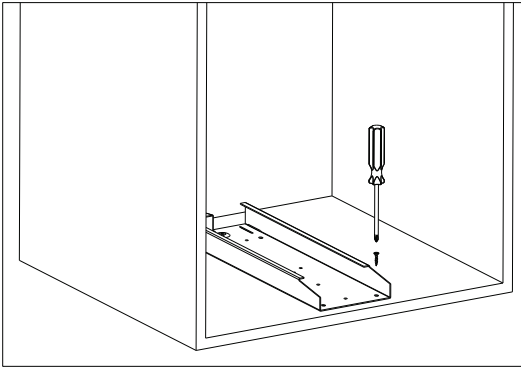
Right Side Door



Left Side Door

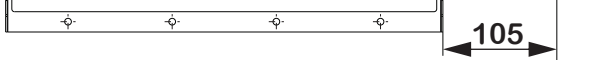


Place Bottom Channel As Given Dimension



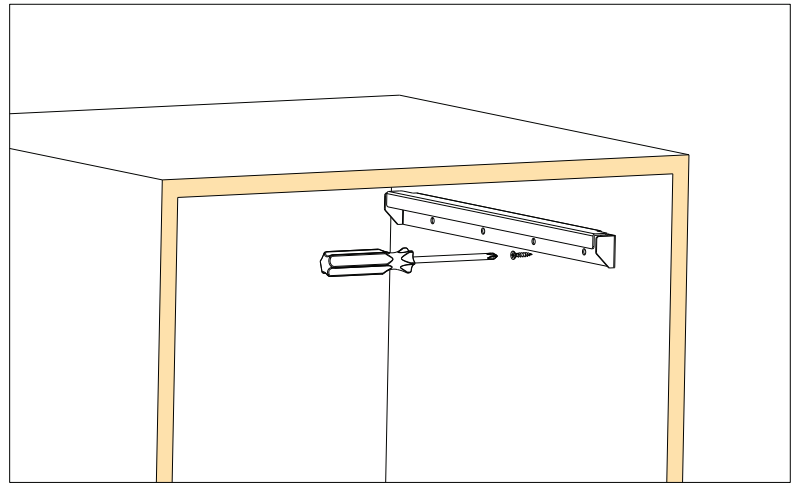
After Placing Channel Fix With Screw.

Roller Guide

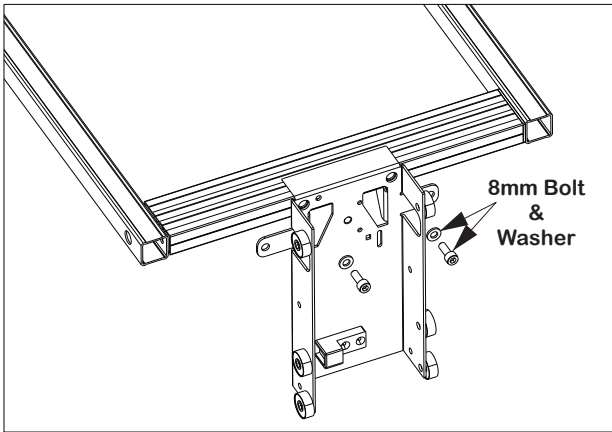


$$X = 1814 - (\text{Cabinet Inner Size})$$

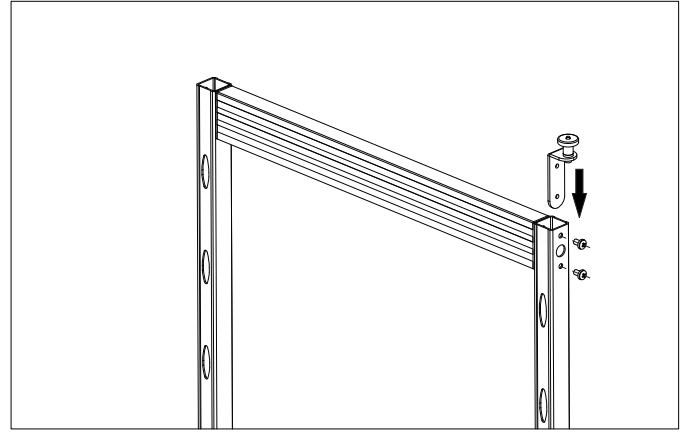
Place Roller Guide As Given Dimension



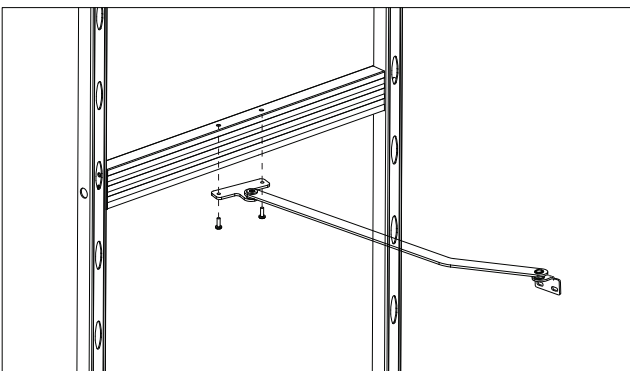
After Placing Guide Fix With Screw.



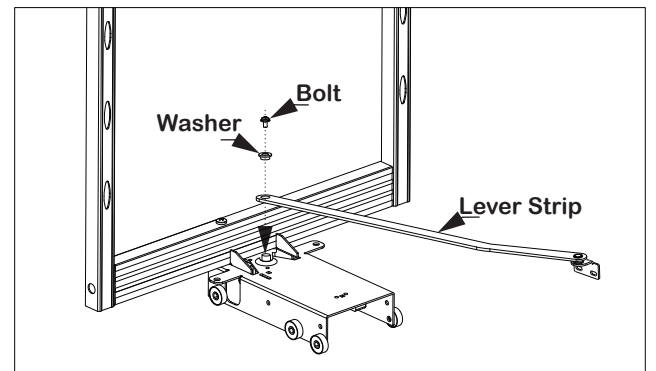
Fix Frame With Roller Channel & Tight With 8mm Bolt



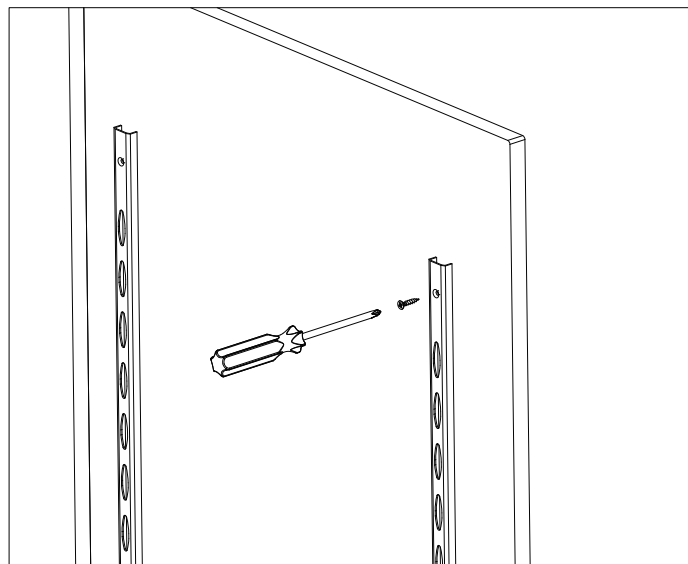
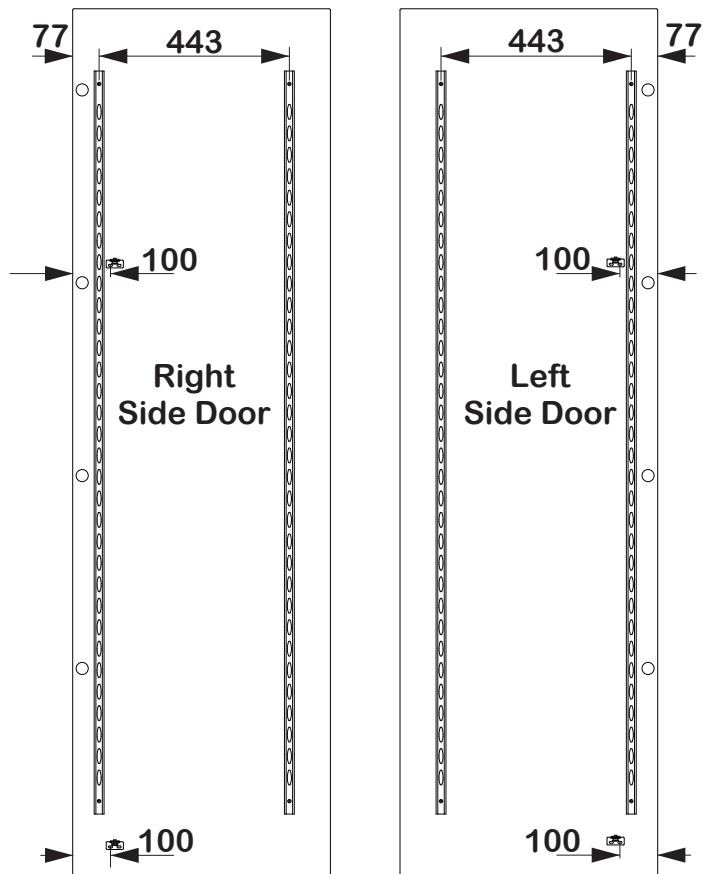
Fix Roller at Frame Top and Tight with Bolt.



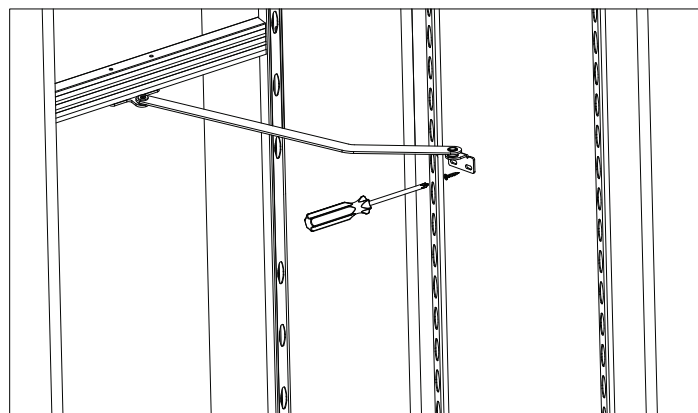
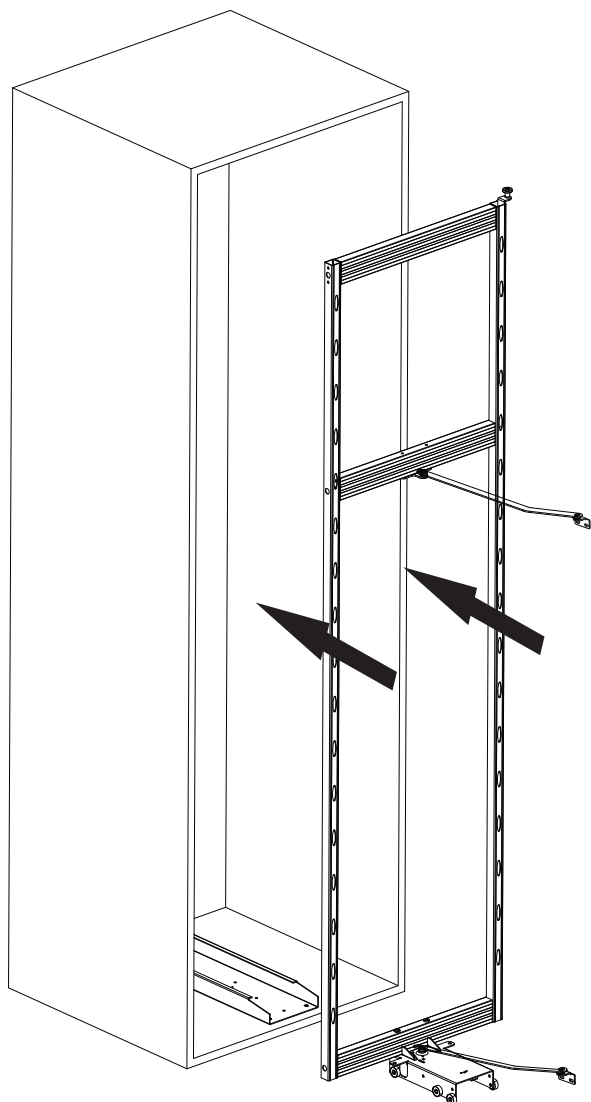
Fix Lever Strip With Frame as Shown.



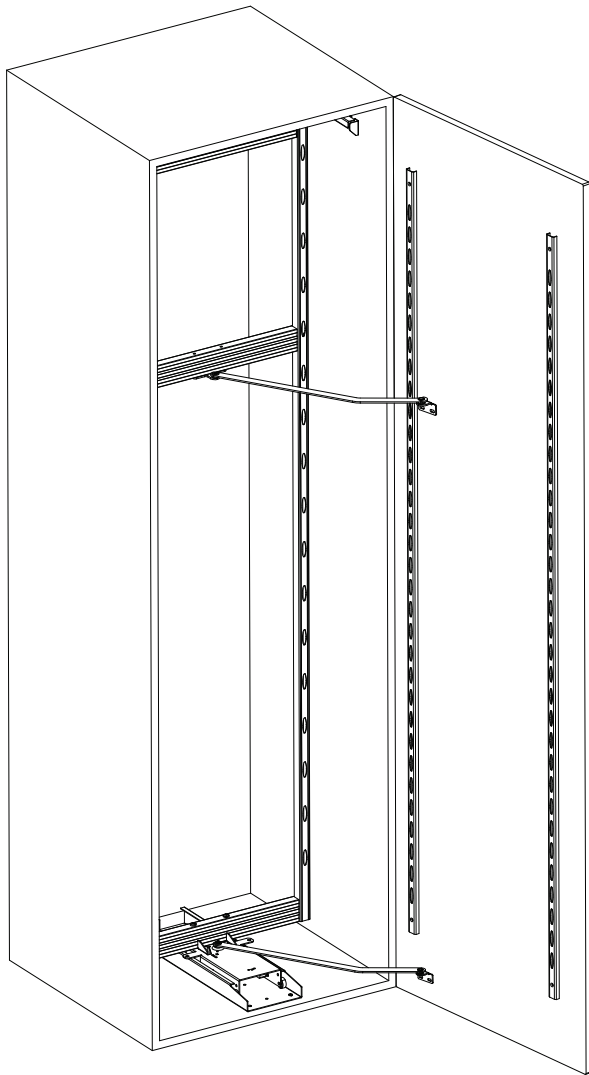
Fix Lever Strip With Roller Channel as Shown



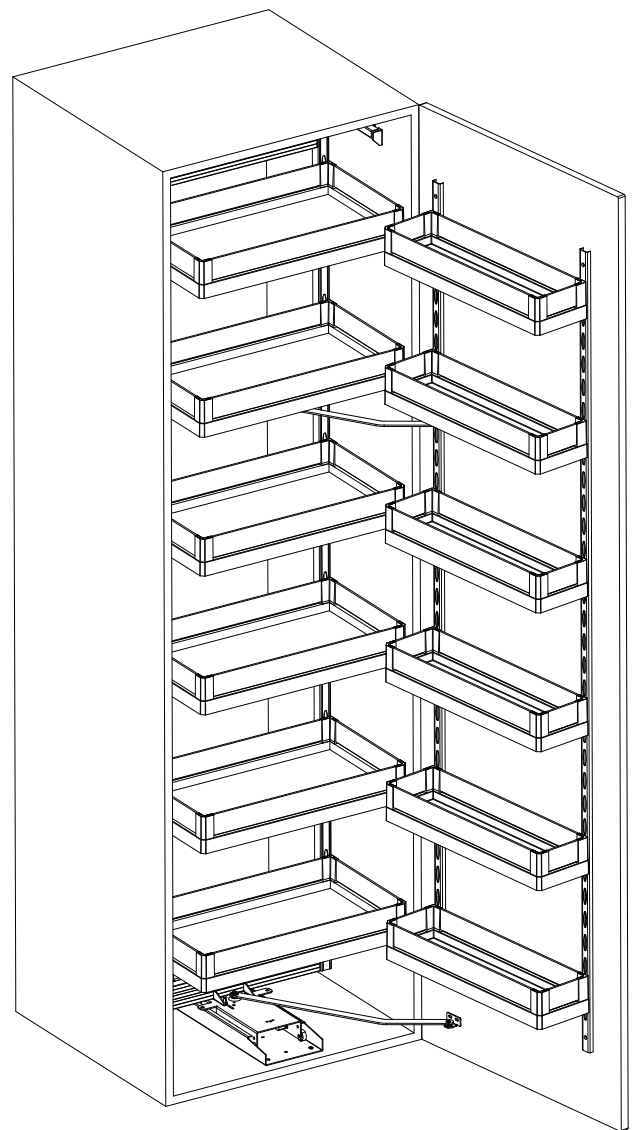
Fix Shutter Strip As Given Dimension & Screw With Shutter



Insert Frame into the Cabinet & Fix Lever Attachment With Shutter As Given Dimension.



After Fitting All Part's Check Working.



Fix Basket According To your Need.



Weight capacity

6 Layer

50 Kg.

5 Layer

40 Kg.

4 Layer

32 Kg.

3 Layer

22 Kg.