



- ▶ KITCHEN ACCESSORIES
- ▶ KITCHEN FITTINGS
- ▶ WARDROBE ACCESSORIES

“
MAKE EVERY SPACE
DELIGHTFULLY SPECIAL”



“

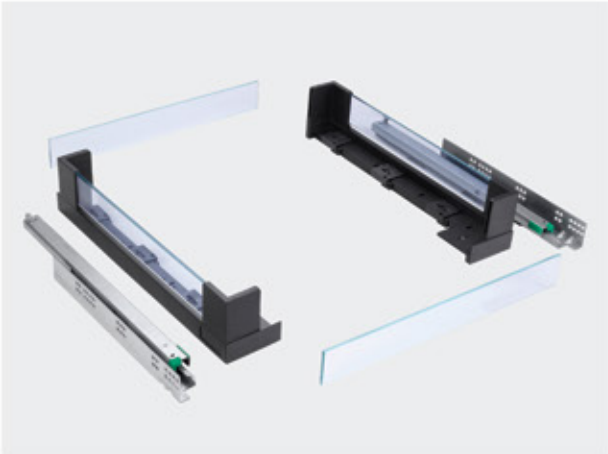
THE NEW
LOOK OF KITCHEN

CONTENT

Smartek Drawers	03
Slimtek Drawers Slim Tandem Box	05
Drawell Box Tandem Box	07
Wicker Basket	09
Pearl Series Basket	10
Pearl Series Pullouts	12
Pullouts	13
Tandem Pantry Units	15
Rolling Shutters	17
Corner Units	19
Kitchen Solution	23
Accessories	27
Aluminum Profile	29
Wardrobe Accessories	34

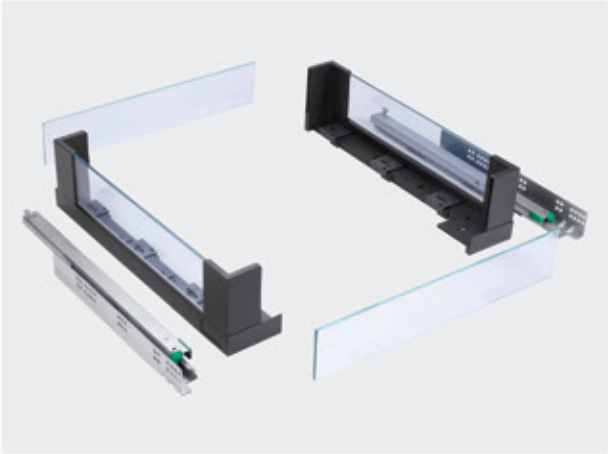
Smartek Inner Drawers

106mm GLS Inner Drawer



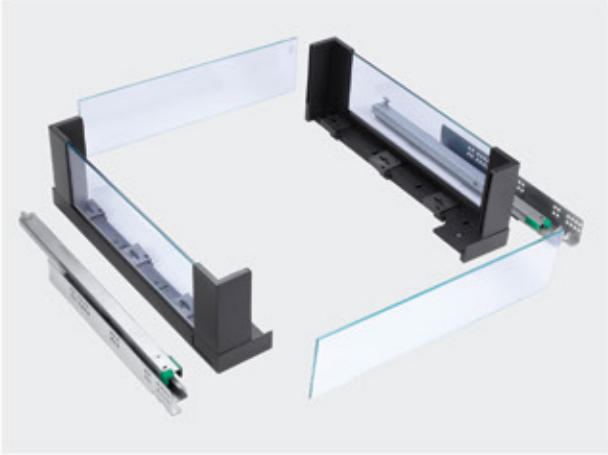
Depth (inch)	Depth (mm)	Width (mm)
18"	455	450-900
20"	505	450-900
22"	555	450-900

132mm GLS Inner Drawer



Depth (inch)	Depth (mm)	Width (mm)
18"	455	450-900
20"	505	450-900
22"	555	450-900

162mm GLS Inner Drawer



Depth (inch)	Depth (mm)	Width (mm)
18"	455	450-900
20"	505	450-900
22"	555	450-900

Smartek Back Wooden Drawers



106mm GLS Back Wooden Drawer



Depth (inch)	Depth (mm)	Width (mm)
18"	455	450-900
20"	505	450-900
22"	555	450-900

132mm GLS Back Wooden Drawer



Depth (inch)	Depth (mm)	Width (mm)
18"	455	450-900
20"	505	450-900
22"	555	450-900

162mm GLS Back Wooden Drawer



Depth (inch)	Depth (mm)	Width (mm)
18"	455	450-900
20"	505	450-900
22"	555	450-900

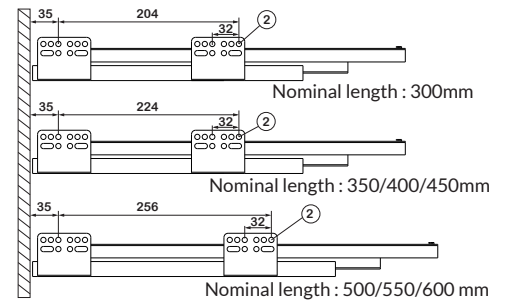
Slimtek Drawers | Slim Tandem Box

Slimtek 88mm Drawer

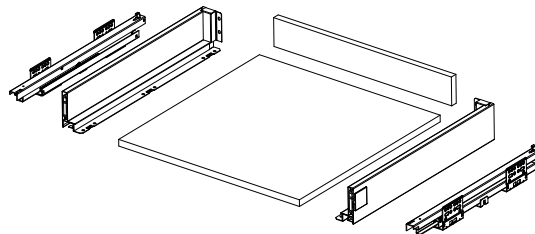


Product Specification :

- Full extension with self closing and soft closing
- Fashionable appearance, slow motion, easy assembling
- Drawer height 88mm
- Synchronized concealed slide, loading capacity 35kg
- Epoxy coated
- 3D regulations, up and down, left and right, front and back
- Finish - Dark Grey



Product Breakdown Drawing

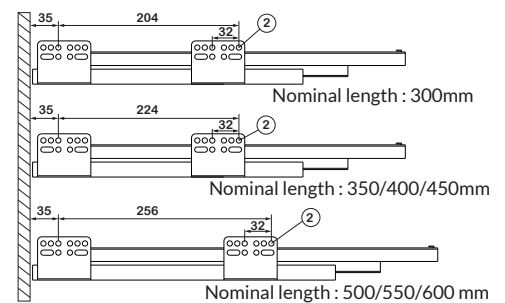


Slimtek 120mm Drawer

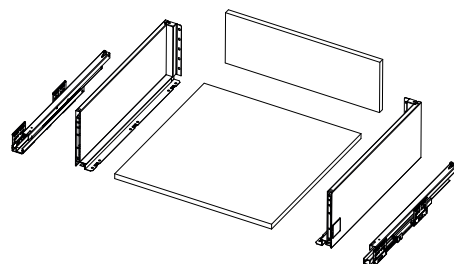


Product Specification :

- Full extension with self closing and soft closing
- Fashionable appearance, slow motion, easy assembling
- Drawer height 120mm
- Synchronized concealed slide, loading capacity 35kg
- Epoxy coated
- 3D regulations, up and down, left and right, front and back
- Finish - Dark Grey



Product Breakdown Drawing



Slimtek Drawers | Slim Tandem Box

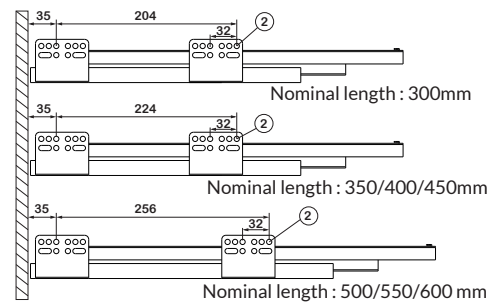


Slimtek 184mm Drawer

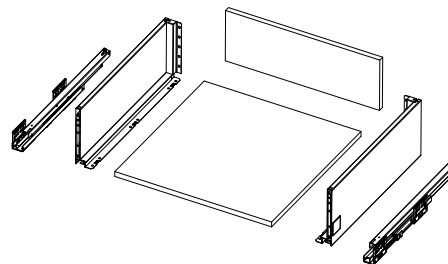


Product Specification :

- Full extension with self closing and soft closing
- Fashionable appearance, slow motion, easy assembling
- Drawer height 184mm
- Synchronized concealed slide, loading capacity 35kg
- Epoxy coated
- 3D regulations, up and down, left and right, front and back
- Finish - Dark Grey



Product Breakdown Drawing

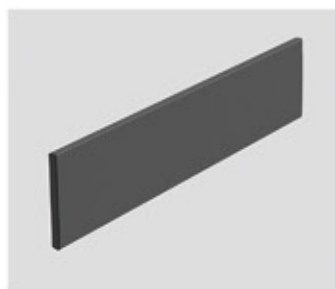


Slimtek Front Panel



Product Specification :

- Full extension with self closing and soft closing
- Fashionable appearance, slow motion, easy assembling
- Front Panel Size Height H-107 x L-1000mm
- Front Panel Size Height H-140 x L-1000mm
- Synchronized concealed slide, loading capacity 35kg
- Finish - Dark Grey



Drawell Box | Tandem Box

DRBX with 80mm RCB (White)



Product Specification :

- Standard Lengths : 300, 350, 400, 450, 500, 550, 600mm
- Available in White & Grey Finish
- Drawer side panel height 80mm.
- Weight carrying capacity up to 35kg.
- Easy, Quick installation and precise alignment.
- 60,000 life cycle test certified.
- Silent & ultra smooth soft closing runner.
- Modern design with larger internal drawer space & compatible drilling.

Side Panel

80mm RCB



DRBX with 128mm RCB (White)



Product Specification :

- Standard Lengths : 300, 350, 400, 450, 500, 550, 600mm
- Available in White & Grey Finish
- Drawer side panel height 80mm.
- Weight carrying capacity up to 35kg.
- Easy, Quick installation and precise alignment.
- 60,000 life cycle test certified.
- Silent & ultra smooth soft closing runner.
- Modern design with larger internal drawer space & compatible drilling.
- Gallery Rail available in square shape & matching finish of DRBX.

Side Panel

128mm RCB

Gallery Rail



Drawell Box | Tandem Box



DRBX with 206mm RCB (White)



Product Specification :

- Standard Lengths : 300, 350, 400, 450, 500, 550, 600mm
- Available in White & Grey Finish
- Drawer side panel height 80mm.
- Weight carrying capacity up to 35kg.
- Easy, Quick installation and precise alignment.
- 60,000 life cycle test certified.
- Silent & ultra smooth soft closing runner.
- Modern design with larger internal drawer space & compatible drilling.
- Gallery Rail available in square shape & matching finish of DRBX.

Side Panel

206mm RCB

Gallery Rail Middle

Gallery Rail



Drawell Box Front Panel



Product Specification :

- Drawer Front Panel Size 90mm x 1000mm.
- Available in White & Grey Finish



Wicker Baskets

Wicker Basket - Dark Brown



Cabinet Size	Width (mm)	Depth (mm)	Height (mm)
450	414	508	100, 150, 200
600	564	508	100, 150, 200
900	864	508	100, 150, 200

Wicker Basket - Light Brown



Cabinet Size	Width (mm)	Depth (mm)	Height (mm)
450	414	508	100, 150, 200
600	564	508	100, 150, 200
900	864	508	100, 150, 200

Wicker Basket Soft Close - Dark Brown



Cabinet Size	Width (mm)	Depth (mm)	Height (mm)
450	414	508	100, 150, 200
600	564	508	100, 150, 200
900	864	508	100, 150, 200

Wicker Basket Soft Close - Light Brown

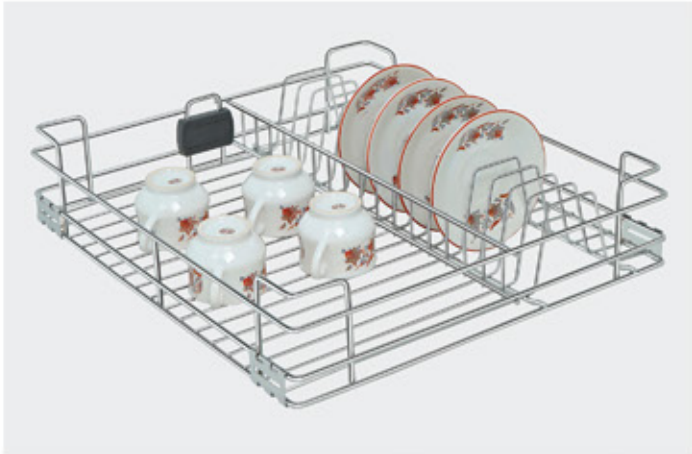


Cabinet Size	Width (mm)	Depth (mm)	Height (mm)
450	414	508	100, 150, 200
600	564	508	100, 150, 200
900	864	508	100, 150, 200

Pearl Series Basket



Cup & Saucer Basket



Width (mm)	Depth (mm)	Height (mm)
370, 420, 470, 520	385, 485, 535, 585	100

Thali-Plate Basket



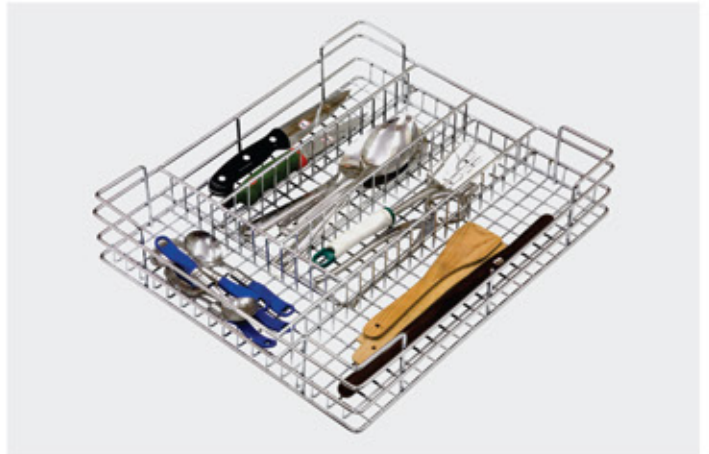
Width (mm)	Depth (mm)	Height (mm)
370, 420, 470, 520	385, 485, 535, 585	150, 200

Perforated Cutlery Basket



Width (mm)	Depth (mm)	Height (mm)
370, 420, 470, 520	385, 485, 535, 585	100

Cutlery Basket



Width (mm)	Depth (mm)	Height (mm)
370, 420, 470, 520	385, 485, 535, 585	100

Plain Basket



Width (mm)	Depth (mm)	Height (mm)
230, 300, 370	385, 485	100, 150, 200
420, 470, 520	535, 585	100, 150, 200

Partition Basket



Width (mm)	Depth (mm)	Height (mm)
370, 420, 470, 520	385, 485, 535, 585	100, 150, 200

Pearl Series Basket



Wire Basket Installation
With Quadro Channel

Bottle Basket



Width (mm)	Depth (mm)	Height (mm)
370, 420, 470, 520	385, 485, 535, 585	150

Glass Basket



Width (mm)	Depth (mm)	Height (mm)
370, 420, 470, 520	385, 485, 535, 585	100

Pullout Basket



Width (mm)	Depth (mm)	Height (mm)
610, 710, 810	485, 535, 585	150, 200

KITCHEN
WIRE BASKETS



Pearl Series Pullout



Two Shelf Pullout



Width (mm)	Depth (mm)	Height (mm)
100, 150, 200, 300, 355	485	430

Three Shelf Pullout



Width (mm)	Depth (mm)	Height (mm)
100, 150, 200, 300, 355	485	530

Bottle Plate Pullout



Width (mm)	Depth (mm)	Height (mm)
300	485	430

Detergent Pullout



Width (mm)	Depth (mm)	Height (mm)
150+150, 150+200 200+200	485, 535	430

Pullouts

Pullout - 01



Carcass Width (mm)	Width (mm)	Depth (mm)	Height (mm)
400	295	505	560

Pullout - 02



Carcass Width (mm)	Width (mm)	Depth (mm)	Height (mm)
400	295	505	560

Pullout - 03



Carcass Width (mm)	Depth (mm)	Depth (mm)	Height (mm)
400	295	505	560

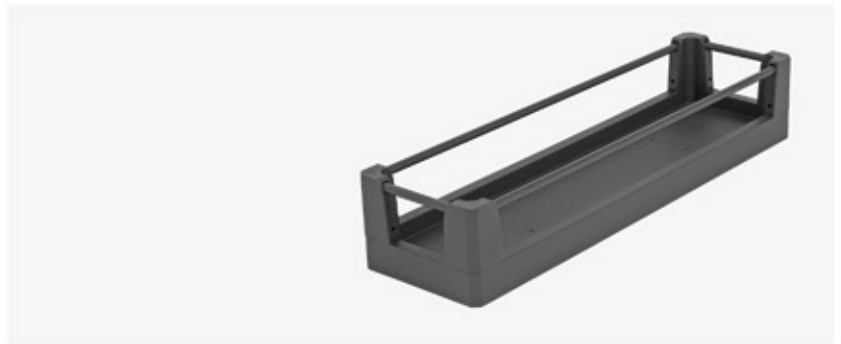
Pullouts

Pullout - 04



Carcass Width (mm)	Width (mm)	Depth (mm)	Height (mm)	Description
210	170	485	485	2 Shelf - Universal
210	170	485	585	3 Shelf - Universal

Pullout - 06 (Prime Series)



Carcass Width (mm)	Width (mm)	Depth (mm)	Height (mm)	Description
200, 250, 300, 350	160, 210, 260, 310	485	485	2 Shelf - Universal
200, 250, 300, 350	160, 210, 260, 310	485	585	3 Shelf - Universal

Pullout (Aluminum)



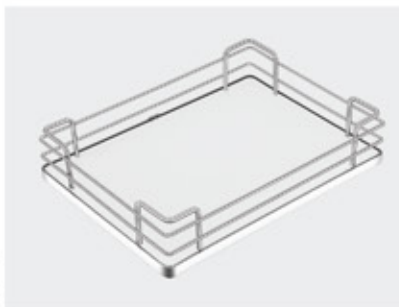
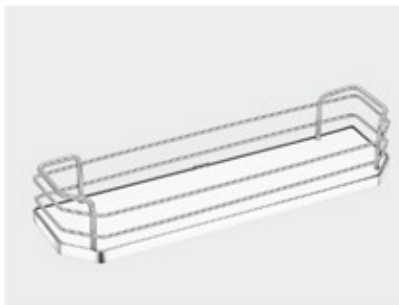
Carcass Width (mm)	Width (mm)	Depth (mm)	Height (mm)	Description
200, 250, 300	160, 210, 260	485	485	2 Shelf - Universal
200, 250, 300	160, 210, 260	485	585	3 Shelf - Universal

Tandem Pantry Units



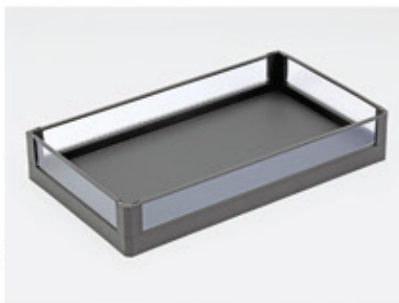
Tandem Pantry Unit (Prime Series - Grey Finish)

Cabinet Size	Width x Depth x Height (mm)	Description
450	380 x 510 x 1130	4 Layers
450	380 x 510 x 1430	5 Layers
450	380 x 510 x 1820	6 Layers
600	480 x 510 x 1130	4 Layers
600	480 x 510 x 1430	5 Layers
600	480 x 510 x 1820	6 Layers



Tandem Pantry Unit (Platinum Series - Chrome Finish)

Cabinet Size	Width x Depth x Height (mm)	Description
600mm	485 x 530 x (659-959)	3 Layers
600mm	485 x 530 x (1159-1459)	4 Layers
600mm	485 x 530 x (1559-1859)	5 Layers
600mm	485 x 530 x (1859-2159)	6 Layers
450mm	385 x 530 x (659-959)	3 Layers
450mm	385 x 530 x (1159-1459)	4 Layers
450mm	385 x 530 x (1559-1859)	5 Layers
450mm	385 x 530 x (1859-2159)	6 Layers



Tandem Pantry Unit (Smartek Series Grey Finish - Glass)

Cabinet Size	Width x Depth x Height (mm)	Description
450	380 x 510 x 1130	4 Layers
450	380 x 510 x 1430	5 Layers
450	380 x 510 x 1820	6 Layers
600	480 x 510 x 1130	4 Layers
600	480 x 510 x 1430	5 Layers
600	480 x 510 x 1820	6 Layers

Tandem Pantry Unit
450mm Installation



Tandem Pantry Unit
600mm Installation



Tandem Pantry Units



Tandem Pantry Unit (Aluminum Profile - Grey Finish)

Cabinet Size	Width x Depth x Height (mm)	Description
450	380 x 510 x 1130	4 Layers
450	380 x 510 x 1430	5 Layers
450	380 x 510 x 1820	6 Layers
600	480 x 510 x 1130	4 Layers
600	480 x 510 x 1430	5 Layers
600	480 x 510 x 1820	6 Layers



Rolling Shutters

Rolling Shutter Silver (PVC)



Width (mm)	Depth (mm)	Height (mm)
450, 600, 900	350	1400

Rolling Shutter Black (PVC)



Width (mm)	Depth (mm)	Height (mm)
450, 600, 900	350	1400

Rolling Shutter White (PVC)



Width (mm)	Depth (mm)	Height (mm)
450, 600, 900	350	1400

Rolling Shutter Grey (PVC)



Width (mm)	Depth (mm)	Height (mm)
450, 600, 900	350	1400

Rolling Shutters



Rolling Shutter Black (Acrylic)



Width (mm)	Depth (mm)	Height (mm)
450, 600, 900	350	1400

Rolling Shutter White (Acrylic)



Width (mm)	Depth (mm)	Height (mm)
450, 600, 900	350	1400

Rolling Shutter Champagne (Acrylic)



Width (mm)	Depth (mm)	Height (mm)
450, 600, 900	350	1400

Rolling Shutter Silver (Acrylic)



Width (mm)	Depth (mm)	Height (mm)
450, 600, 900	350	1400

Corner Units

Swing Tray
Installation



Swing Tray (Smartek Series - Grey Finish)



Swing Tray (PVC - Grey Finish)



Cabinet Size	Width x Depth x Height (mm)	Description
1050-1100	Dia. 815 x 400 x (600-700) = 2 Layer	Left - Right Opening
1050-1100	Dia. 815 x 400 x (1100-1200) = 4 Layer	Left - Right Opening

Swing Tray (Royale Series - Chrome Finish)



Carrousel Tray (Royale Series - Chrome Finish)



Cabinet Size	Width x Depth x Height (mm)	Description
1050-1100	Dia. 815 x 400 x (600-700) = 2 Layer	Left - Right Opening
1050-1100	Dia. 815 x 400 x (1100-1200) = 4 Layer	Left - Right Opening
900 x 900	Dia. 610, 710 x (600-700)	2 Layer
900 x 900	Dia. 610, 710 x (1100-1200)	4 Layer

Corner Units



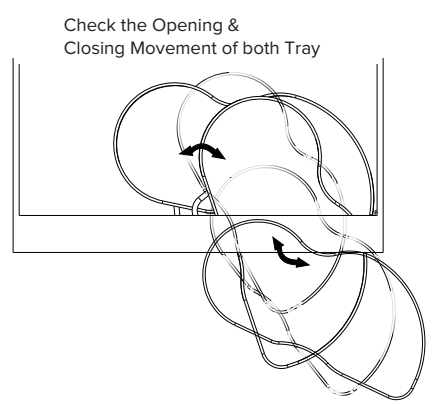
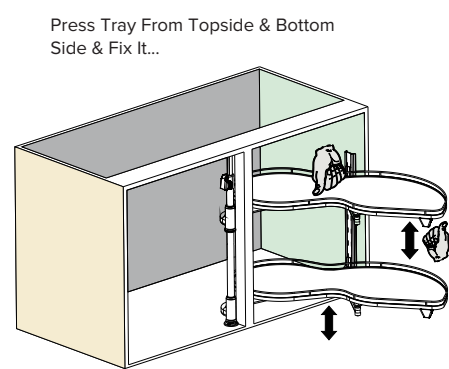
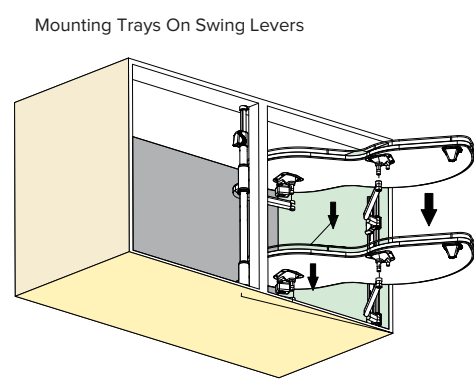
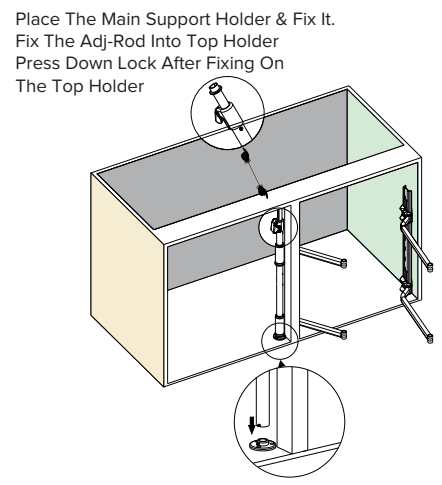
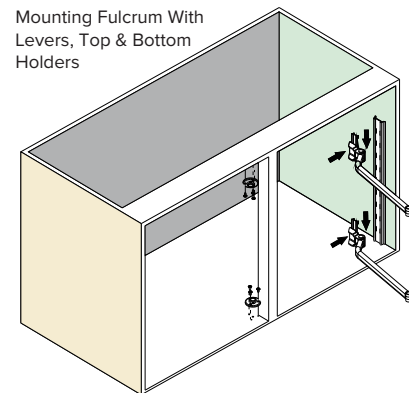
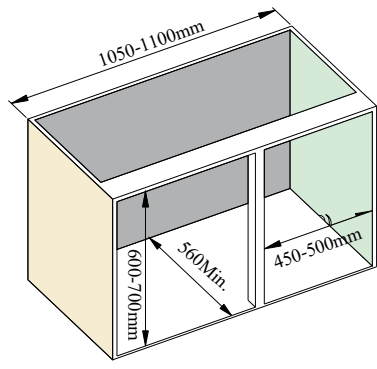
Carrousel Tray (Smartek Series - Grey Finish)

Carrousel Tray (PVC - Grey Finish)



Cabinet Size	Width x Depth x Height (mm)	Description
900 x 900	Dia. 610, 710 x (600-700)	2 Layer
900 x 900	Dia. 610, 710 x (1100-1200)	4 Layer

Swing Tray - Manual Right Side :-



Corner Units

Magic Corner (Prime Series - Grey Finish)



Magic Corner (Aluminum Profile - Grey Finish)



Cabinet Size (mm)	Width x Depth x Height (mm)	Description	Layers
1050-1100 x 560 x 720	860 x 530 x (530-750)	Left	2
1050-1100 x 560 x 720	860 x 530 x (530-750)	Right	2

Magic Corner (Smartek Series Grey Finish - Glass)



Magic Corner (Platinum Series - Chrome Finish)



Cabinet Size (mm)	Width x Depth x Height (mm)	Description	Layers
1050-1100 x 560 x 720	860 x 530 x (530-750)	Left	2
1050-1100 x 560 x 720	860 x 530 x (530-750)	Right	2

Magic Corner
Installation



Corner Units



Show Hand Corner (Prime Series - Grey Finish)



Show Hand Corner (Aluminum Profile - Grey Finish)



Cabinet Size (mm)	Width x Depth x Height (mm)	Description	Layers
1050-1100 x 560 x 720	660 x 515 x 600	Universal	2

Show Hand Corner (Smartek Series Grey Finish - Glass)



Show Hand Corner (Platinum Series - Chrome Finish)



Show Hand Corner Installation



Cabinet Size (mm)	Width x Depth x Height (mm)	Description	Layers
1050-1100 x 560 x 720	660 x 515 x 600	Universal	2

Kitchen Solution

Cutlery Tray



Product Specification :

- 1 - Finish : Silver Grey.
- 2 - Standard Height : 50mm

Cutlery Tray	Width Max	Width Min	Depth Max	Depth Min
CT-335B	335	265	485	415
CT-450B	385	315	485	415
CT-500B	430	360	485	415
CT-600B	530	460	485	415
CT-700B	630	560	485	415
CT-800B	730	660	485	415
CT-900B	830	760	485	415

GTPT (NEW)



Product Specification :

- 1- Best solution for overhead cabinets.
- 2 - GTPT Tray in SS 304 Material & Clamp in Vergin ABS.
- 3 - Easy access of Glass & Plate in systematic arrangement.

Carcass Size	Width	Depth	Height
500	465	245	80
600	565	245	80
700	665	245	80
800	765	245	80
900	865	245	80

DRIP TRAY (NEW)



Product Specification :

- 1 - Drip tray use in GTPT for dripping water.
- 2 - The material of tray is Virgin ABS

Carcass Size	Width	Depth	Height
500	448	245	20
600	548	245	20
700	648	245	20
800	748	245	20
900	848	245	20

PLATE HOLDER



Product Specification :

- 1 - Adjustable in width according to the size of the plates.
- 2 - Easy to Clean & Handle.
- 3 - Attractive design & with Steel & PVC combination.
- 4 - Finish : Grey



Assembled Size :

- Min. Inner Width: 194mm (264mm outer width)
- Max. width: 341mm (411mm outer width)
- Total Height: 171mm (145mm height for place Plates)

Kitchen Solution



Cabinet Carscase Leg (Triangle-01)



Available in 100mm & 150mm height.
Better stability with triangular base.
Finish - Black

Cabinet Carscase Leg (Round-01)



Available in 100mm & 150mm height.
Quick fit system
Finish - Black

Skirting Clip



Door Stiffener



Door Stiffener Length 1900mm.
Best use for cabinet door.

Skirting - Black



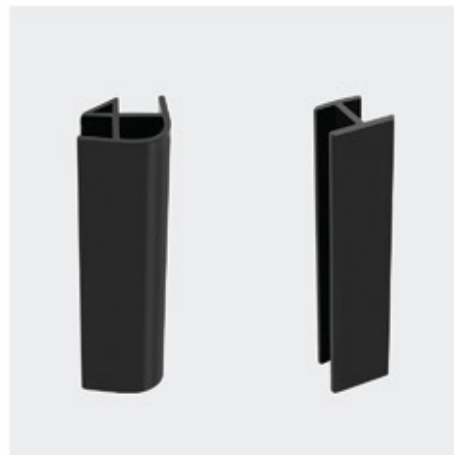
Available in H-100mm x Length - 4 Mtr.
Finish - Black

Skirting - Silver



Available in H-100mm x Length - 4 Mtr.
Finish - Silver

Skirting Corner & Connector - Black



Size - H-100mm x 90° Corner
Size - H-100mm x 180° Corner
Finish - Black

Skirting Corner & Connector - Silver



Size - H-100mm x 90° Corner
Size - H-100mm x 180° Corner
Finish - Silver

Kitchen Solution

Dust Bin (PVC)



DSH-PVC 10 Litre Capacity
Size - W- 270mm H- 335mm
This bin have automatic opening for lids.

Dust Bin (S.S.)



DSH-SS 8 & 10 Litre Capacity
Size - W- 270mm H- 335mm
This bin have automatic opening for lids.

Dust Bin - A



Capacity 20 Litre.
Size - W- 235mm D-305mm H- 375mm
Easily put in office, kitchen etc.

Dust Bin - B



Capacity 10 Litre.
Size - Dia. 250mm H- 290mm
Easily put in office, kitchen etc.

Waste Bin - 1 (With Soft Close)



DB-20A 40 Litre Capacity
Size - W- 340mm D- 510mm H- 430mm
Full extension slides provided for easy access of the buckets.

Waste Bin - 2A (With Soft Close)



2 Bin 20+20 Litre Capacity
Size - W- 362mm D- 510mm H- 400mm

20L	20L
-----	-----

Waste Bin - 2B (With Soft Close)



3 Bin 20+10+10 Litre Capacity
Size - W- 362mm D- 510mm H- 400mm

10L	20L
10L	

Waste Bin - 2C (With Soft Close)



4 Bin 10+10+10+10 Litre Capacity
Size - W- 362mm D- 510mm H- 400mm

10L	10L
10L	10L

Waste Bin - 3A (With Soft Close)



2 Bin 20+10 Litre Capacity
Size - W- 292mm D- 510mm H- 400mm

10L	20L
-----	-----

Kitchen Solution



Waste Bin - 3B (With Soft Close)



3 Bin 10+10+10 Litre Capacity
Size - W- 292mm D- 510mm H- 400mm

10L	10L	10L
-----	-----	-----

Waste Bin - 2C (With Soft Close)



2 Bin 10+10 Litre Capacity
Size - W- 214mm D- 510mm H- 400mm

10L	10L
-----	-----

Waste Bin - 3A (With Soft Close)



1 Bin 20 Litre Capacity
Size - W- 292mm D- 367mm H- 400mm

20L

Waste Bin - 2B (With Soft Close)



2 Bin 10+10 Litre Capacity
Size - W- 292mm D- 367mm H- 400mm

10L	10L
-----	-----

Waste Bin - 6 (Revolving)



2 Bin 10+10 Litre Capacity
Size - W- 270mm H- 335mm

Anti Skid Mat



W-600mm x Lenght - 20,000mm. (20 Mtr. Roll)
Anti slip and easy to clean.
Dampens sounds and protect drawer and shelves against scratching.

Accessories

Single Corner



Width (mm)	Depth (mm)	Height (mm)
225	225	180

Double Corner



Width (mm)	Depth (mm)	Height (mm)
225	225	430

Tripple Corner



Width (mm)	Depth (mm)	Height (mm)
225	225	690

Knife Holder



Width (mm)	Depth (mm)	Height (mm)
360	140	400

Hanging Plate Rack



Width (mm)	Depth (mm)	Height (mm)
300	250	300

Hanging Glass Rack



Width (mm)	Depth (mm)	Height (mm)
300	75	350

Glass / Plate Rack



Width (mm)	Depth (mm)	Height (mm)
600	200	100

Spice Bottle Rack



Width (mm)	Depth (mm)	Height (mm)
400	180	350

Paper / Foil Holder



Width (mm)	Depth (mm)	Height (mm)
310	125	310

Bin Holder



Width (mm)	Depth (mm)	Height (mm)
Dia. 250	-	145

Use Me Basket



Width (mm)	Depth (mm)	Height (mm)
300	200	300

Cylinder Trolley



Width (mm)	Depth (mm)	Height (mm)
-	-	-

Accessories



Cutlery Drainer



Width (mm)	Depth (mm)	Height (mm)
120	85	200

Water Filter Stand



Width (mm)	Depth (mm)	Height (mm)
460	260	200

Detergent Holder



Width (mm)	Depth (mm)	Height (mm)
-	-	-

Round Hot Plate



Width (mm)	Depth (mm)	Height (mm)
Dia. 200, 250	-	-

Multiutility Rack



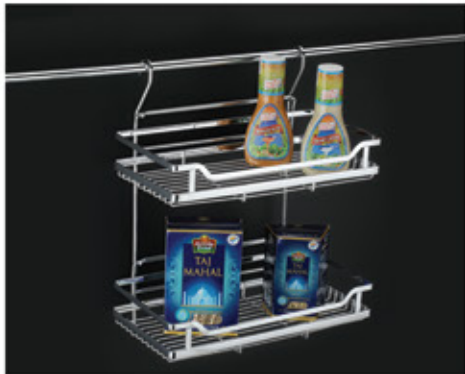
Width (mm)	Depth (mm)	Height (mm)
430	335	260

Single Basket



Width (mm)	Depth (mm)	Height (mm)
304, 380, 450	150, 200	90

Double Basket



Width (mm)	Depth (mm)	Height (mm)
304, 380, 450	150+150, 150+200, 200+200	90

Pan Holder



Width (mm)	Depth (mm)	Height (mm)
Dia. 150, 195, 230	-	50, 60, 70

Glass Tray



Width (mm)	Depth (mm)	Height (mm)
508, 558, 610, 710, 864	250	50

Plate Tray



Width (mm)	Depth (mm)	Height (mm)
508, 558, 610, 710, 864	250	100

Magazine Holder



Width (mm)	Depth (mm)	Height (mm)
320	335	260

Magazine Stand



Width (mm)	Depth (mm)	Height (mm)
320	90	250

Accessories

Wine Glass Holder Double



Width (mm)	Depth (mm)	Height (mm)
210	360	70

Wine Glass Holder Single



Width (mm)	Depth (mm)	Height (mm)
100	360	70

Hook For Cutlery



Width (mm)	Depth (mm)	Height (mm)
40	5	72

Pipe



Width (mm)	Depth (mm)	Height (mm)
-	600, 900, 1200	-

Pipe Holder



Width (mm)	Depth (mm)	Height (mm)
-	-	-

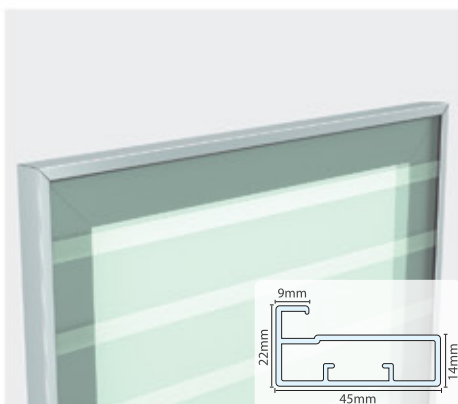
Pipe Holder Centre



Width (mm)	Depth (mm)	Height (mm)
-	-	-

Aluminum Frame Profiles

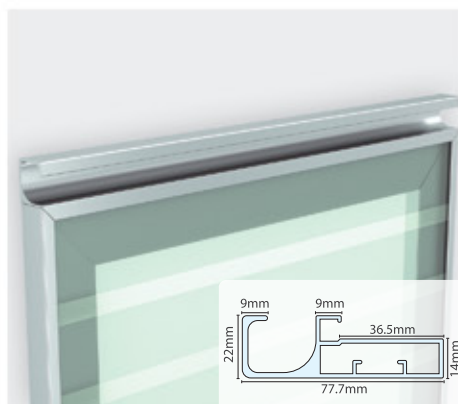
AP-02 L



Specification :

Aluminium Frame Profile : AP02
 Related Handle Profile : AP21, AP22
 Width : 45mm (Front 9mm)
 Finish : Alu. Matt, S.S. Brush, Champagne Brush, Rose Gold, Grey (Glossy), Black (Matt).
 Thickness of Glass / Panel : 4 to 5mm
 Standard Length : 3mtr.
 Door Height & Width : upto 2200mm, upto 550mm

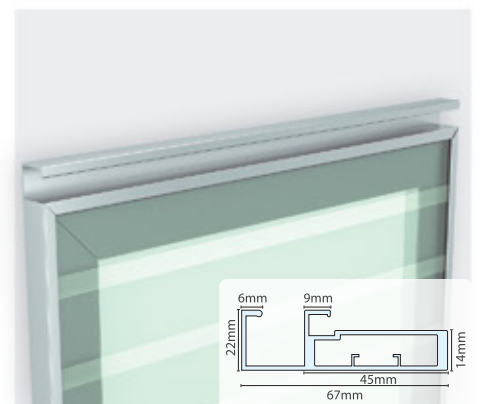
AP-21 L



Specification :

Aluminium Frame Profile : AP21
 Related Profile : AP02
 Width : 77.7mm (Front 9mm)
 Finish : Alu. Matt, S.S. Brush, Champagne Brush, Rose Gold, Grey (Glossy), Black (Matt).
 Thickness of Glass / Panel : 4 to 5mm
 Standard Length : 3mtr.
 Door Height & Width : upto 2200mm, upto 550mm

AP-22 L



Specification :

Aluminium Frame Profile : AP22
 Related Profile : AP02
 Width : 67mm (Front 9mm)
 Finish : Alu. Matt, S.S. Brush, Champagne Brush, Rose Gold, Grey (Glossy), Black (Matt).
 Thickness of Glass / Panel : 4 to 5mm
 Standard Length : 3mtr.
 Door Height & Width : upto 2200mm, upto 550mm

Aluminum Frame Profiles



AP-113-A-200 Left



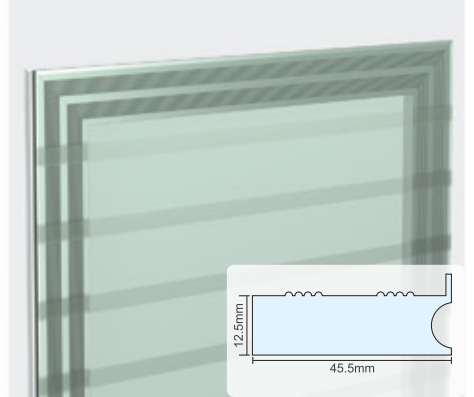
Specification :
 Aluminium Frame Profile : AP-113-A-200 Left
 Related Profile : AP-113-A-200 Right
 Width : 200mm
 Finish : Brush Gold, Rose Gold (Glossy), Black (Matt)

AP-113-A-1200 Left



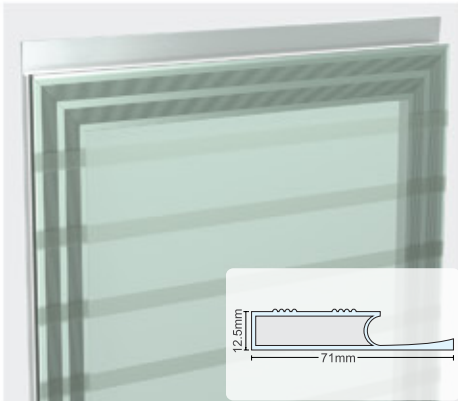
Specification :
 Aluminium Frame Profile : AP-113-A-1200 Left
 Related Profile : AP-113-A-1200 Right
 Width : 1200mm
 Finish : Brush Gold, Rose Gold (Glossy), Black (Matt)

OGL-016



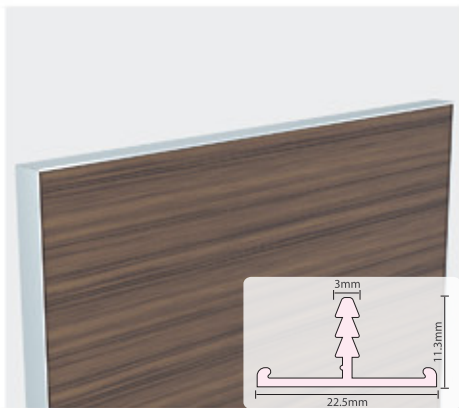
Specification :
 Aluminium Frame Profile : OGL-016
 Related Handle Profile : OGL-015
 Width : 45.5mm
 Finish : Glossy (Mirror), Rose Gold, Grey (Glossy), Black (Matt)
 Thickness of Glass / Panel : 3mm (Depend)
 Standard Length : 3.05mtr.

OGL-015



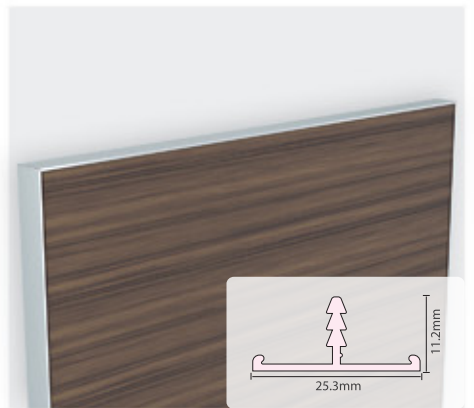
Specification :
 Aluminium Frame Profile : OGL-015
 Related Profile : OGL-016
 Width : 71mm
 Finish : Glossy (Mirror), Rose Gold, Grey (Glossy), Black (Matt)
 Thickness of Glass / Panel : 3mm (Depend)
 Standard Length : 3.05mtr.

AG-02



Specification :
 Aluminium Edge Profile : AG-02
 Related Handle Profile : AG-21
 Width : 22.5mm
 Finish : Anodized, S.S. Brush, Champagne Brush, Rose Gold, Grey (Glossy), Black (Matt).
 Thickness of Panel : 19mm
 (Can be use with MDF, PLY, CHIPBOARD)
 Standard Length : 3mtr.

AG-10

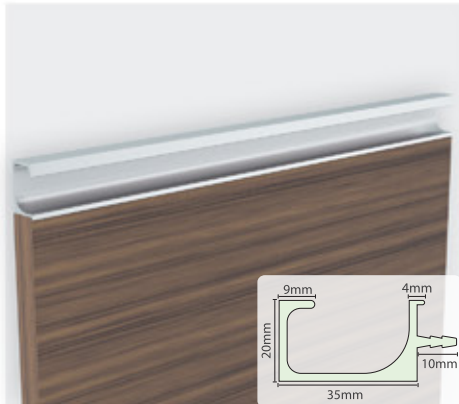


Specification :
 Aluminium Edge Profile : AG-10
 Width : 25.3mm
 Finish : Alu. Matt, S.S. Brush, Champagne Brush, Rose Gold, Grey (Glossy), Black (Matt).
 Thickness of Panel : 22mm
 (Can be use with MDF, PLY, CHIPBOARD)
 Standard Length : 3mtr.

Aluminum Edge Profiles

Aluminum Handle Profile

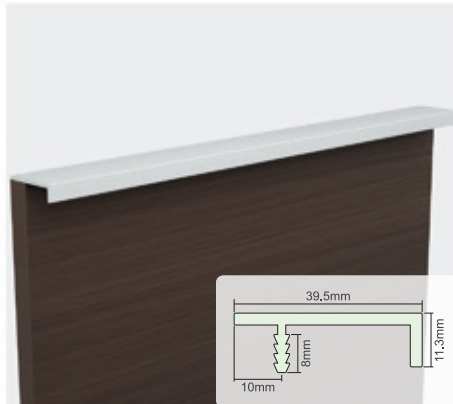
AD-01



Specification :

Aluminium Handle Profile : AD-01
 Width : 35mm
 Finish : Alu. Matt, S.S. Brush,
 Champagne Brush, Rose Gold, Grey (Glossy), Black (Matt).
 Thickness of Panel : 19mm
 (Can be use with MDF, PLY, CHIPBOARD)
 Standard Length : 3mtr.

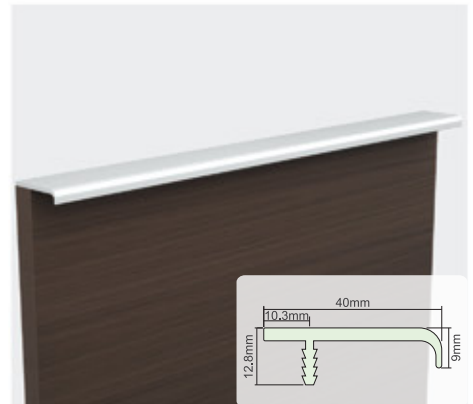
AD-05



Specification :

Aluminium Handle Profile : AD-05
 Width : 39.5mm
 Finish : Alu. Matt, S.S. Brush,
 Champagne Brush, Rose Gold, Grey (Glossy), Black (Matt).
 Thickness of Panel : 19mm
 (Can be use with MDF, PLY, CHIPBOARD)
 Standard Length : 3mtr.

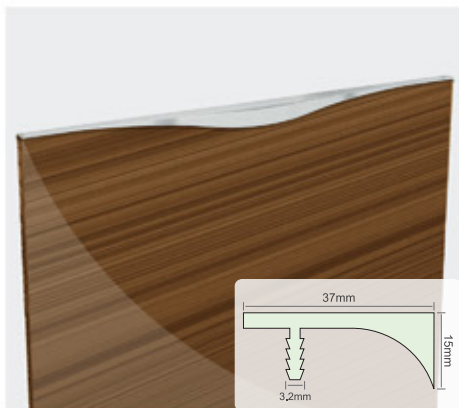
AD-07



Specification :

Aluminium Handle Profile : AD-07
 Width : 40mm
 Finish : Alu. Matt, S.S. Brush,
 Champagne Brush, Rose Gold, Grey (Glossy), Black (Matt).
 Thickness of Panel : 21mm
 (Can be use with MDF, PLY, CHIPBOARD)
 Standard Length : 3mtr.

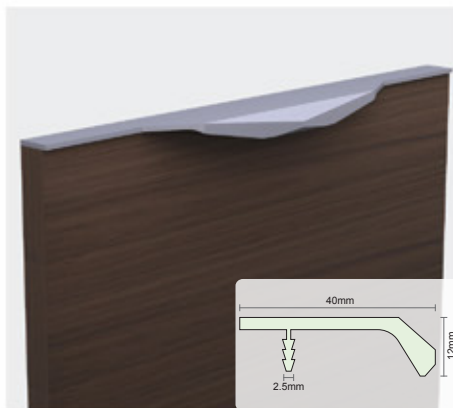
OGL-217



Specification :

Aluminium Handle Profile : OGL-217
 Width : 37mm
 Finish : S.S. Brush, CP Finish
 Thickness of Panel : 19mm
 (Can be use with MDF, PLY, CHIPBOARD)
 Standard Length : 297, 317, 397, 447, 497,
 597, 697, 897

OGL-3508



Specification :

Aluminium Handle Profile : OGL-3508
 Width : 40mm
 Finish : Brushed Bronze, Matt Grey
 Thickness of Panel : 19mm
 (Can be use with MDF, PLY, CHIPBOARD)
 Standard Length : 247, 297, 397, 447, 497,
 597, 897

OGL-3306



Specification :

Aluminium Handle Profile : OGL-3306
 Width : 40.2mm
 Finish : Matt Black, Matt Grey
 Thickness of Panel : 19mm
 (Can be use with MDF, PLY, CHIPBOARD)
 Standard Length : 247, 297, 397, 447, 497,
 597, 897

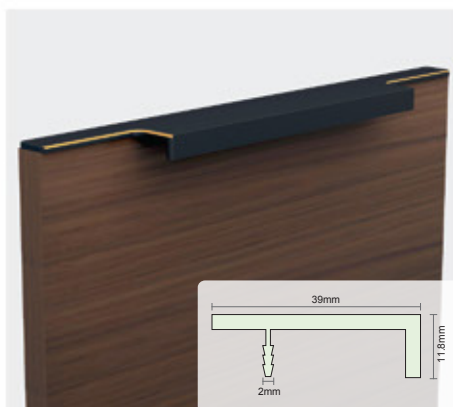
OGL-3125



Specification :

Aluminium Handle Profile : OGL-3125
 Width : 40.2mm
 Finish : Matt Black, Matt Grey
 Thickness of Panel : 19mm
 (Can be use with MDF, PLY, CHIPBOARD)
 Standard Length : 247, 297, 397, 447, 497,
 597, 897

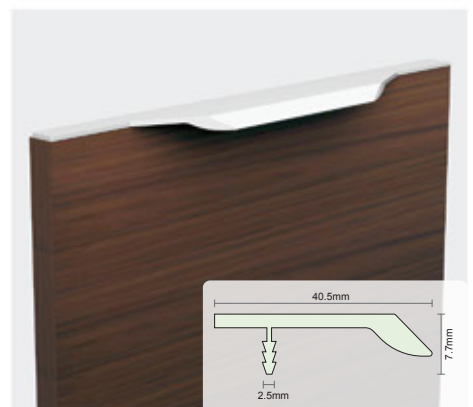
OGL-3216



Specification :

Aluminium Handle Profile : OGL-3216
 Width : 39mm
 Finish : Matt Black with Silver Line
 Matt Black with Gold Line
 Thickness of Panel : 19mm
 (Can be use with MDF, PLY, CHIPBOARD)
 Standard Length : 247, 297, 397, 447, 497,
 597, 897

OGL-3713



Specification :

Aluminium Handle Profile : OGL-3713
 Width : 40.5mm
 Finish : SS Brush, CP Finish
 Thickness of Panel : 19mm
 (Can be use with MDF, PLY, CHIPBOARD)
 Standard Length : 247, 297, 397, 447, 497,
 597, 897

Aluminum Handle Profile



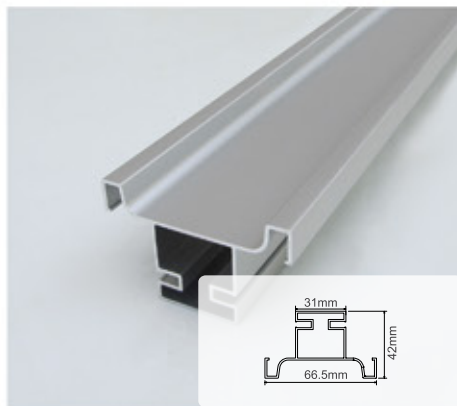
OGL-3217



Specification :

Aluminium Handle Profile : OGL-3217
 Width : 37.8mm
 Finish : SS Brush, CP Finish
 Thickness of Panel : 19mm
 (Can be use with MDF, PLY, CHIPBOARD)
 Standard Length : 247, 297, 397, 447, 497, 597, 897

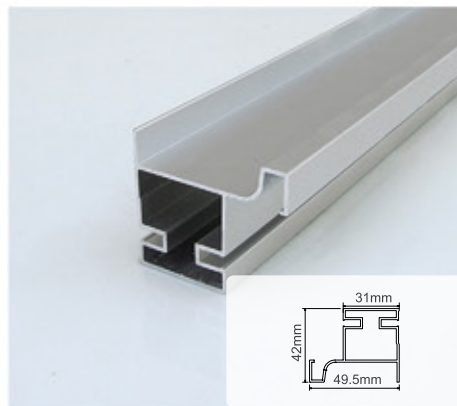
OGL-026



Specification :

Aluminium Handle : OGL-026
 Width : 66.5mm
 Finish : Anodized Silver, Glossy(Mirror)
 Standard Length : 3.05mtr.
 Product Use : Kitchen Cabinet, etc.

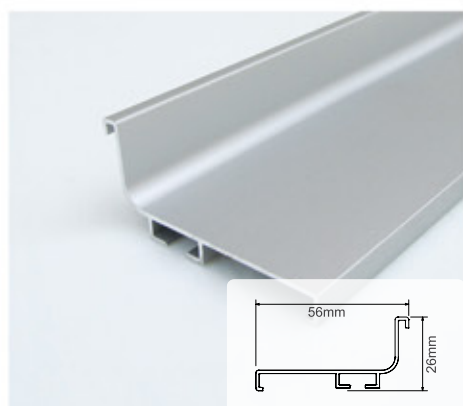
OGL-027



Specification :

Aluminium Handle : OGL-027
 Width : 49.5mm
 Finish : Anodized Silver, Glossy(Mirror)
 Standard Length : 3.05mtr.
 Product Use : Kitchen Cabinet, etc.

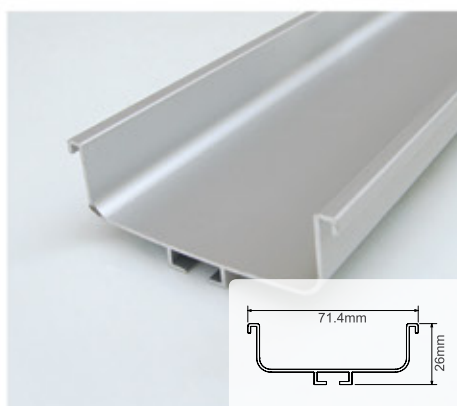
OGL-028



Specification :

Aluminium Handle : OGL-028
 Width : 56mm
 Finish : Anodized Silver, Glossy(Mirror)
 Rose Gold (Glossy), Black (Matt)
 Standard Length : 3.05mtr.
 Door Height : Decrease by 25mm
 Product Use : Kitchen Cabinet, etc.

OGL-029



Specification :

Aluminium Handle : OGL-029
 Width : 71.4mm
 Finish : Anodized Silver, Glossy(Mirror)
 Rose Gold (Glossy), Black (Matt)
 Standard Length : 3.05mtr.
 Door Height : Decrease by 25mm
 Product Use : Kitchen Cabinet, etc.

OGL-196



Specification :

Aluminium Handle : OGL-196
 Width : 20.5mm
 Finish : Anodized Silver
 Thickness of Panel : 19mm
 Standard Length : 3.05mtr.
 Product Use : Kitchen Cabinet, etc.

End Bracket & Connectors

APCA-01 Big



Suitable for :
AP-01, 02, 04, 05, 06, 07, 102, 103

APCA-01 Small



Suitable for :
AP-01, 02, 04, 05, 06, 07

PVC L Clamp



Suitable for : OGL-015, 016
Finish : Grey

OGL-028-1



Suitable for : OGL-028
Finish : Zinc Alloy (Matt)

OGL-028-0



Suitable for : OGL-028
Finish : Zinc Alloy (Matt)

OGL-029 E.C.



Suitable for : OGL-029
Finish : Zinc Alloy (Matt)

OGL-028 E.C.



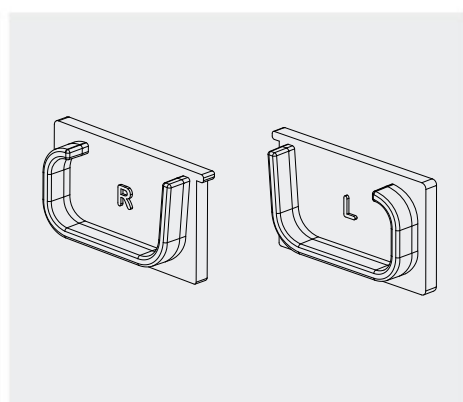
Suitable for : OGL-028
Finish : Zinc Alloy (Glossy)

L Clamp-90°



Suitable for : OGL-028, 029
Finish : Zinc

ADEB-01-L



Suitable for : AD-01 (Emblc)
Finish : Anodized, SS Brush, Champagne Brush,
Chrome Finish (For Rose Gold),
Chrome Finish (For Grey)

Wardrobe Accessories



Garnishry Box



OWA-11

T-Cabinet	Width (mm)	Depth (mm)	Height (mm)
600	564	475	85
900	864	475	85

Trouser Rack



OWA-17

T-Cabinet	Width (mm)	Depth (mm)	Height (mm)
600	564	475	72
900	864	475	72

Trouser & Clothes Rack



OWA-13

T-Cabinet	Width (mm)	Depth (mm)	Height (mm)
600	564	475	95
900	864	475	95

Clothes Rack (pvc)



OWA-16

T-Cabinet	Width (mm)	Depth (mm)	Height (mm)
600	564	475	95
900	864	475	95

Clothes Basket (s.s)



OWA-14

T-Cabinet	Width (mm)	Depth (mm)	Height (mm)
600	564	475	160
900	864	475	160

Clothes Basket



OWA-12

T-Cabinet	Width (mm)	Depth (mm)	Height (mm)
600	564	475	200
900	864	475	200

Wardrobe Accessoris

11 Hook Trouser Rack



OWA-32

T-Cabinet	Width (mm)	Depth (mm)	Height (mm)
400	365	480	120

Trouser Rack



Width (mm)	Depth (mm)	Height (mm)
710, 810	508	60

Wardrobe Basket SS Strip



Width (mm)	Depth (mm)	Height (mm)
710, 810, 910	508	150, 200

Wardrobe Basket SS Wire



Width (mm)	Depth (mm)	Height (mm)
710, 810, 910	508	150, 200

Sliding Hanger Holder



Width (mm)	Depth (mm)	Height (mm)
35	508	150

Trouser Slider - Regular



Width (mm)	Depth (mm)	Height (mm)
370	508	175

Trouser Slider - Sleek



Width (mm)	Depth (mm)	Height (mm)
370	508	175

Tie Slider - Regular



Width (mm)	Depth (mm)	Height (mm)
150	508	60

Wardrobe Accessoris



Cloth Hanger Wire



Width (mm)	Depth (mm)	Height (mm)
-	-	-

Perfume Rack - Wooden Base



Width (mm)	Depth (mm)	Height (mm)
300, 405	100	100

Perfume Rack - Wire Base



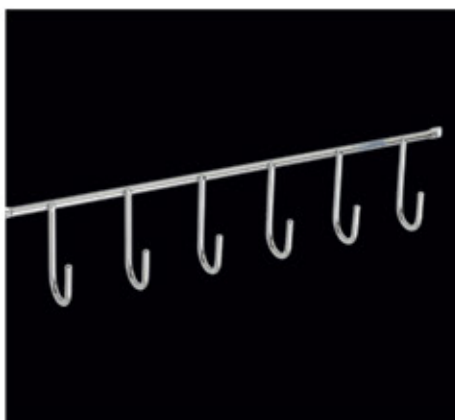
Width (mm)	Depth (mm)	Height (mm)
300, 405	100	100

Hook Liner - Sleek



Width (mm)	Depth (mm)	Description
260	-	4 Hook
380	-	6 Hook
475	-	8 Hook

Hook Liner - Regular



Width (mm)	Depth (mm)	Description
260	-	4 Hook
380	-	6 Hook
475	-	8 Hook

Cloth Hanger



Width (mm)	Depth (mm)	Height (mm)
-	-	-

Oval Pipe



Width (mm)	Depth (mm)	Height (mm)
35	15	900
35	15	1200

Oval Pipe Holder



Width (mm)	Depth (mm)	Height (mm)
-	-	-



CRYSTAL INTERIOR PRODUCTS PVT. LTD.

(CIN. U93090GJ2006PTC048545)

Plot No. 41, Ichhapore GIDC, Opp. ONGC, Sachin-Hazira Road,
Bhatpore Village, Surat - 394 510 (Gujarat) INDIA.

Tel : +91 70459 36769, 90999 46016

Email : exports@oliveworld.co.in Web : www.oliveworld.co.in

